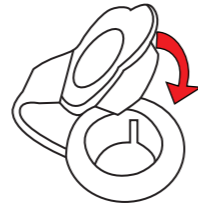


## Before Playing!

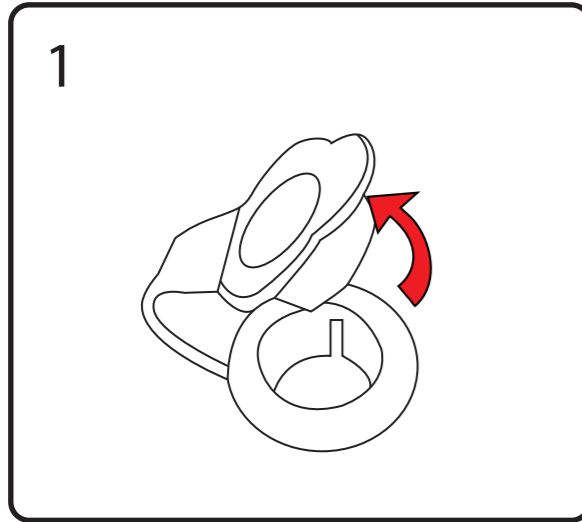
Before pouring water in the table, make sure the plug is closed and secure.



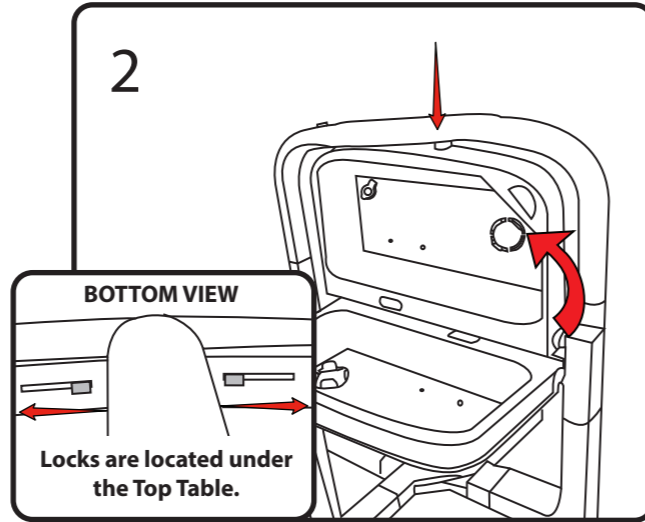
## Time to Store Away!

### FOLDING AND UNFOLDING THE TABLE SHOULD BE DONE BY AN ADULT ONLY.

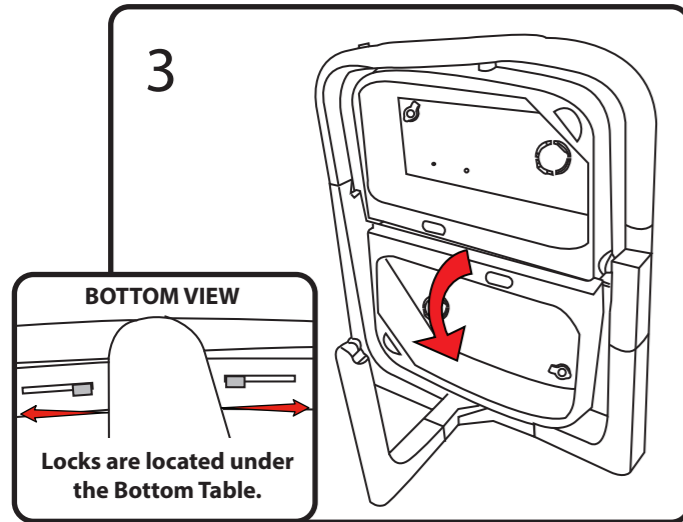
Before folding and storing, always pour out the water and allow the table and accessories to air dry thoroughly. Make sure the accessories are locked into the table.



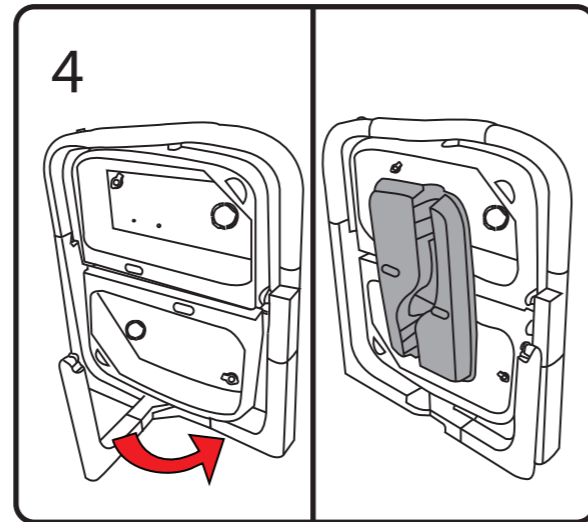
Open the plugs located inside the tables and allow the water to drain. Make sure the table and accessories are completely dry before storing.



Remove the Tray from the Handle. Locate the locks under the Top Table and push them out to unhook the table from the Leg. Then, lift it up and snap it onto the post under the Handle.



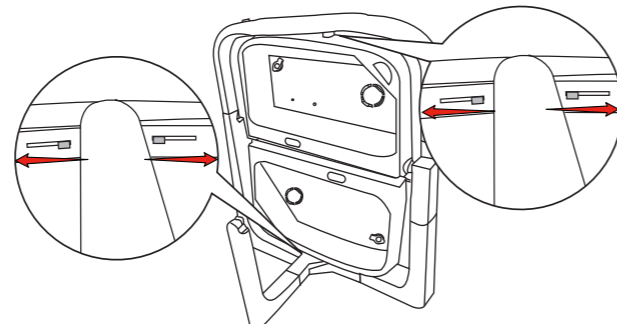
Locate the locks under the Bottom Table and push them out to unhook the table from the Leg. Then, slide down the table.



Slide the Leg to the side. Then, insert the Tray into the Tables.

## Playing Again?

To unfold the table, reverse the folding steps. Make sure to unlock the tables and secure them into the legs before playing.



SKU: 660429C3

AGES 2+ YEARS  
ADULT ASSEMBLY AND SUPERVISION REQUIRED.

## ASSEMBLY INSTRUCTIONS



Look for video of assembly on YouTube

[www.youtube.com/littletikes](http://www.youtube.com/littletikes)

or our website at [www.littletikes.com/videoinstructions](http://www.littletikes.com/videoinstructions)

**Thank you for choosing the Little Tikes® Easy Store™ Water Table.**  
We strive to provide a durable, easy-to-assemble toy that is made to last, giving your child years of imaginative, engaging fun!

## IMPORTANT INFORMATION YOU SHOULD KNOW!

- Read through all the instructions first.
- Clear a flat surface to lay out all the materials so that everything is close at hand.
- Illustrations are for reference only. Styles may vary from actual contents.
- Please remove all packaging including tags, ties & tacking stitches before giving this product to a child.
- **Make sure you have all contents before assembling. If anything is missing or if you have questions, we're here to help. Give our consumer service team a call at 1-800-321-0183.**

### Let's be careful!

#### ⚠ WARNING!

- ADULT ASSEMBLY REQUIRED.
- Adult supervision required. Do not leave children unattended.
- Please keep this manual as it contains important information.
- This product is intended for use by children ages 2 years and up.
- This product is intended for outdoor family use only.
- Use this product on a firm, level surface and avoid using near swimming pools, on or near steps, hills or inclines.
- Do not allow children to sit, stand play or climb on the top of surface. Failure to do so may cause the product to become unstable.
- Intended for use with the supplied accessories only.
- Never fill with anything except clean tap water. Use of other liquids may be harmful or damage the unit. Never fill with sand or dirt.
- Do not store or leave water in product when not in use.
- Folding and unfolding the table should be done by an adult only.

#### MAINTENANCE & CLEANING

- Always inspect product before playing.
- Do not attempt to modify or repair this product. For help contact Little Tikes Consumer Service.
- Clean water table with a slightly damp cloth and mild soap. Never use a corrosive or abrasive substance to clean the product.

#### DISPOSAL

- Disassemble and dispose of equipment in such a manner that no hazardous conditions, such as but not limited to, small parts and sharp edges, exist at the time equipment is discarded.

© The Little Tikes Company, an MGA Entertainment company. LITTLE TIKES® is a trademark of Little Tikes in the U.S. and other countries. All logos, names, characters, likenesses, images, slogans, and packaging appearance are the property of Little Tikes.

Printed in China • 1021-1-C3

#### CONSUMER SERVICE

**Little Tikes Consumer Service**  
[www.littletikes.com](http://www.littletikes.com)  
 2180 Barlow Road  
 Hudson, Ohio 44236 U.S.A.  
 Email: [service@littletikes.com](mailto:service@littletikes.com)  
 1-800-321-0183 Monday-Friday

**MGA Entertainment UK Ltd.**  
[www.littletikes.co.uk](http://www.littletikes.co.uk)  
 50 Presley Way, Crownhill, Milton  
 Keynes, MK8 0ES, Bucks, UK  
[support@LittleTikesStore.co.uk](mailto:support@LittleTikesStore.co.uk)  
 Tel: +0 800 521 558

**MGA Entertainment (Netherlands) B.V.**  
 Baronie 68-70  
 2404 XG Alphen a/d Rijn  
 The Netherlands  
 Tel: +31 (0) 172 758038

**Imported by MGA Entertainment Australia Pty Ltd**  
[www.littletikes.com.au](http://www.littletikes.com.au)  
 Suite 2.02, 32 Delhi Road  
 Macquarie Park NSW 2113  
 1300 059 676



#### LIMITED WARRANTY

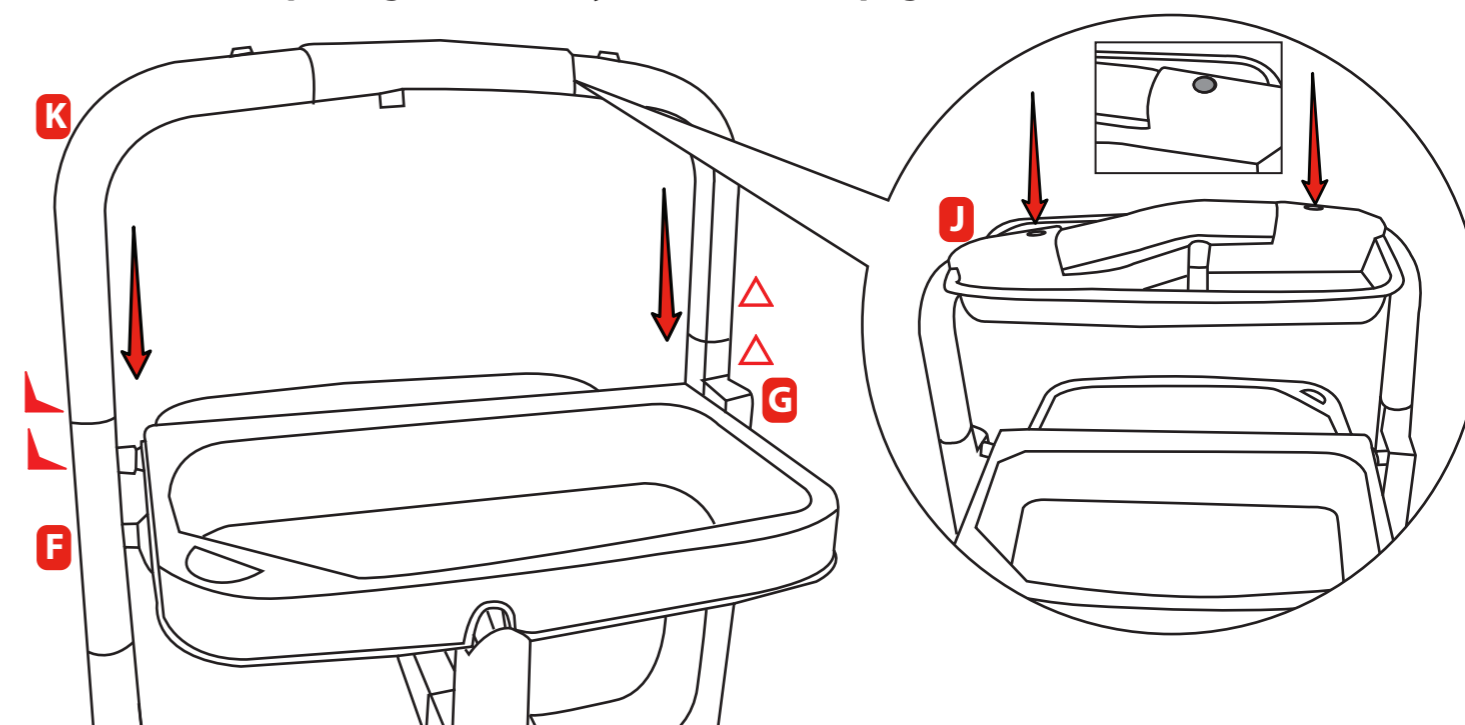
The Little Tikes Company makes fun, high quality toys. We warrant to the original purchaser that this product is free of defects in materials or workmanship for one year\* from the date of purchase (dated sales receipt is required for proof of purchase). At the sole election of The Little Tikes Company, the only remedies available under this warranty will be the replacement of the defective part or replacement of the product. This warranty is valid only if the product has been assembled and maintained per the instructions. This warranty does not cover abuse, accident, cosmetic issues such as fading or scratches from normal wear, or any other cause not arising from defects in material and workmanship. \*The warranty period is three (3) months for daycare or commercial purchasers.

**U.S.A. and Canada:** For warranty service or replacement part information, please visit our website at [www.littletikes.com](http://www.littletikes.com), call 1-800-321-0183 or write to: Consumer Service, The Little Tikes Company, 2180 Barlow Road, Hudson OH 44236, U.S.A. Some replacement parts may be available for purchase after warranty expires—contact us for details.

**Outside U.S.A. and Canada:** Contact place of purchase for warranty service. This warranty gives you specific legal rights, and you may also have other rights, which vary from country/state to country/state. Some countries/states do not allow the exclusion or limitation of incidental or consequential damages, so the above limitation or exclusion may not apply to you.

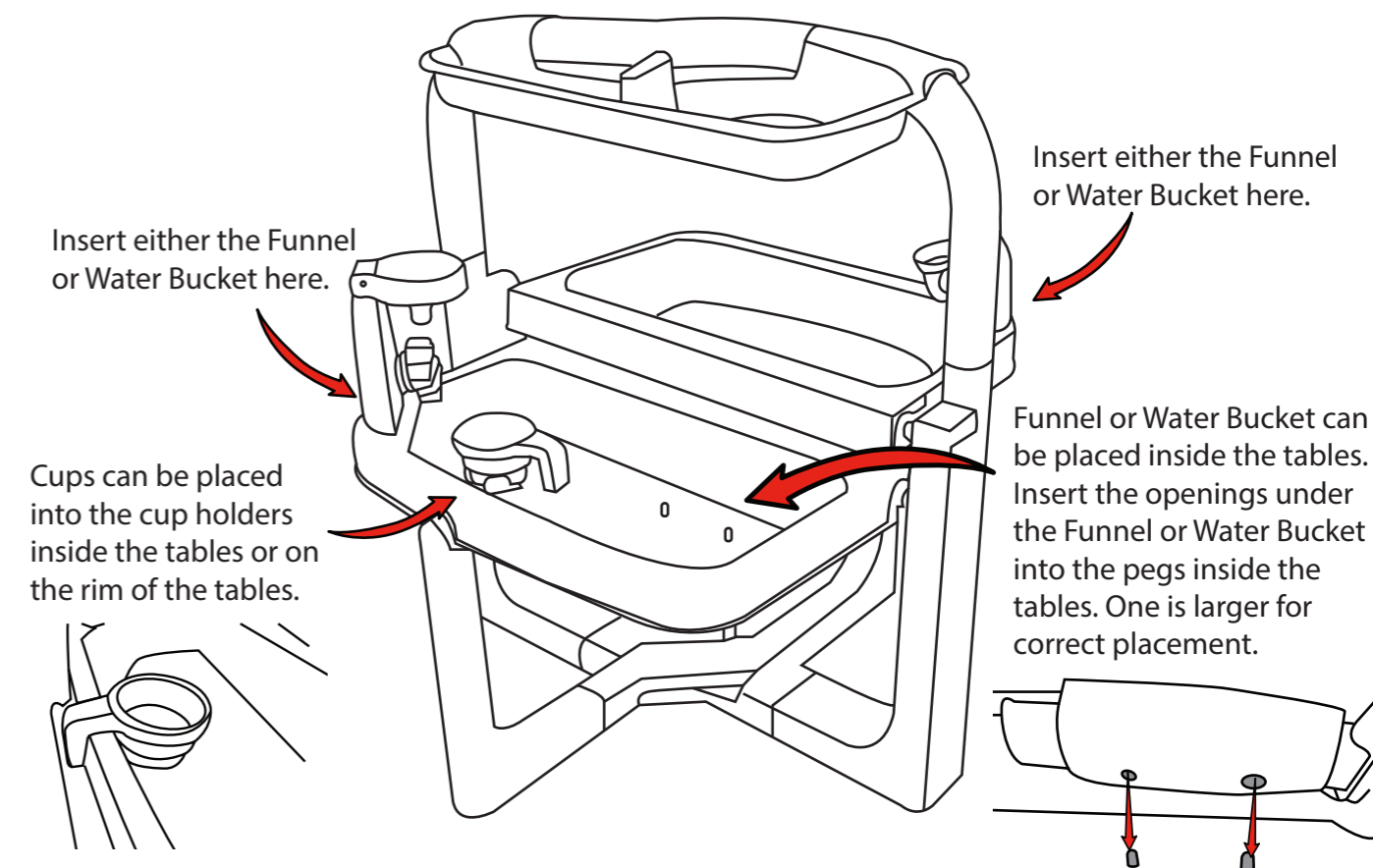
## 7 Top it Off

Attach the Handle (K) to the Left and Right Table Connectors (F and G). Then, place the Tray (J) over the Handle. When adding the Tray, make sure the circular openings on the Tray slides into the pegs on the Handle.



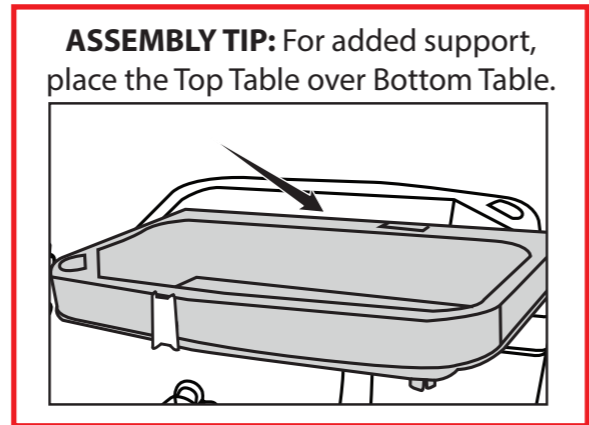
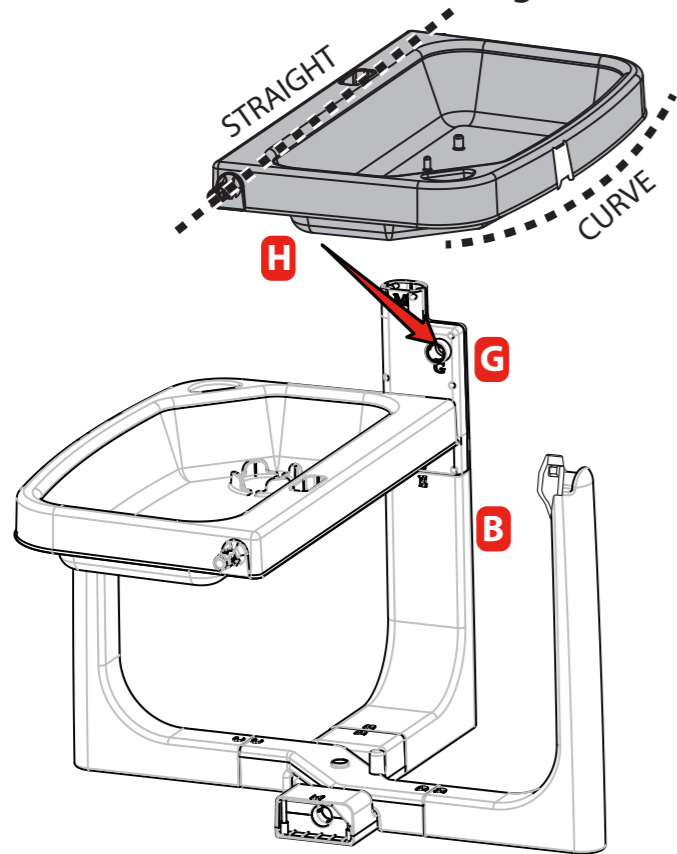
## 8 Finish It Off with the Accessories

Accessories can be placed in multiple areas around the water table.



## 5 Connect the Top Table

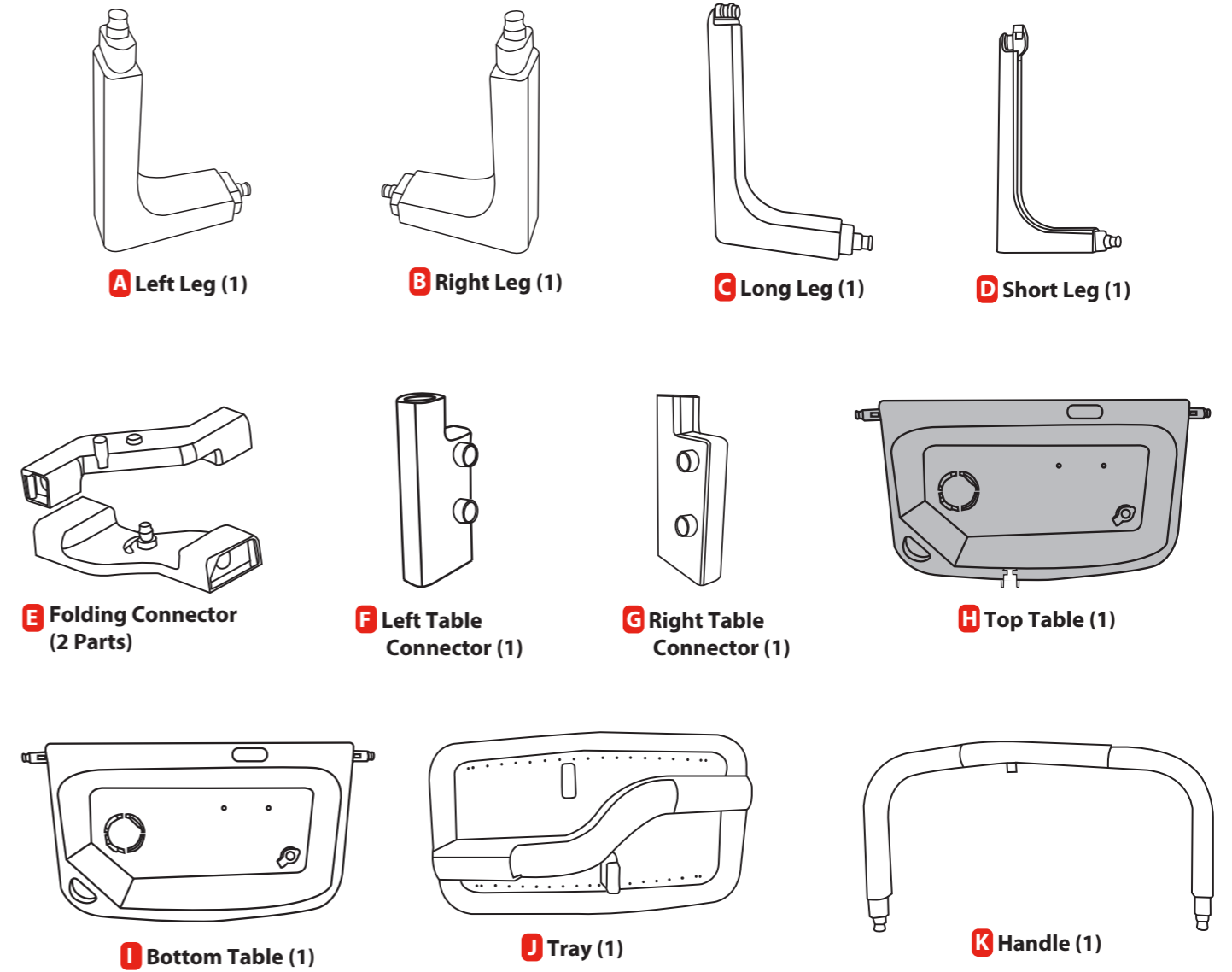
Connect the Top Table (H) into Right Table Connector (G). Take note of the direction the curve and straight sides of the table are facing.



## A Few Things Before You Start!

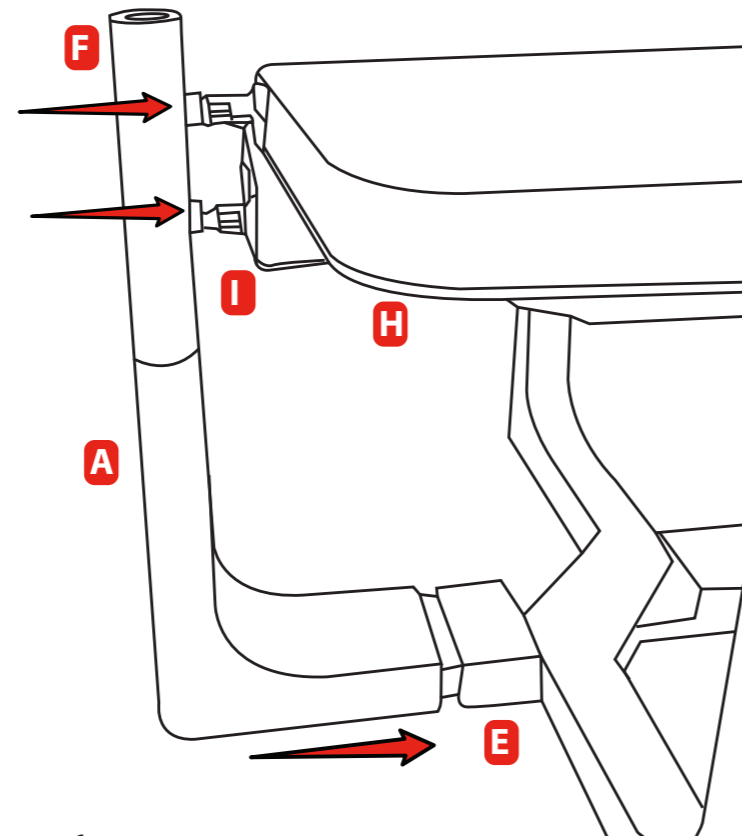
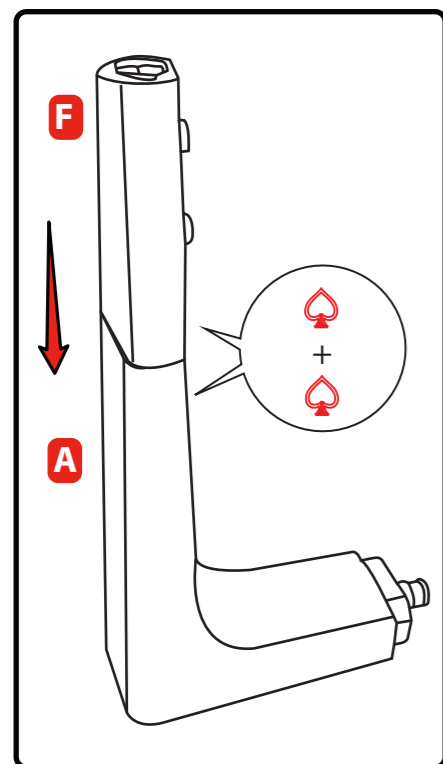
BEFORE you begin assembly, make sure you have all the parts listed below. Questions? We're here to help. Little Tikes® Consumer Service: 1-800-321-0183

## Water Table Parts

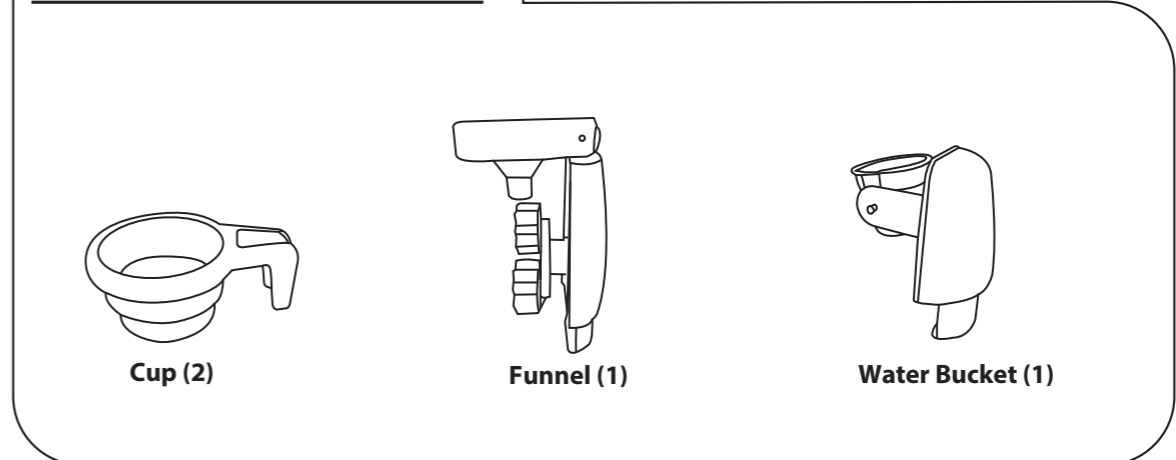


## 6 Assemble and Attach the Left Leg

Attach the Left Table Connector (F) to the Left Leg (A). Insert the Left Leg into the Folding Connector (E), making sure to insert the Top and Bottom table's pegs into the openings on the Left Table Connector.



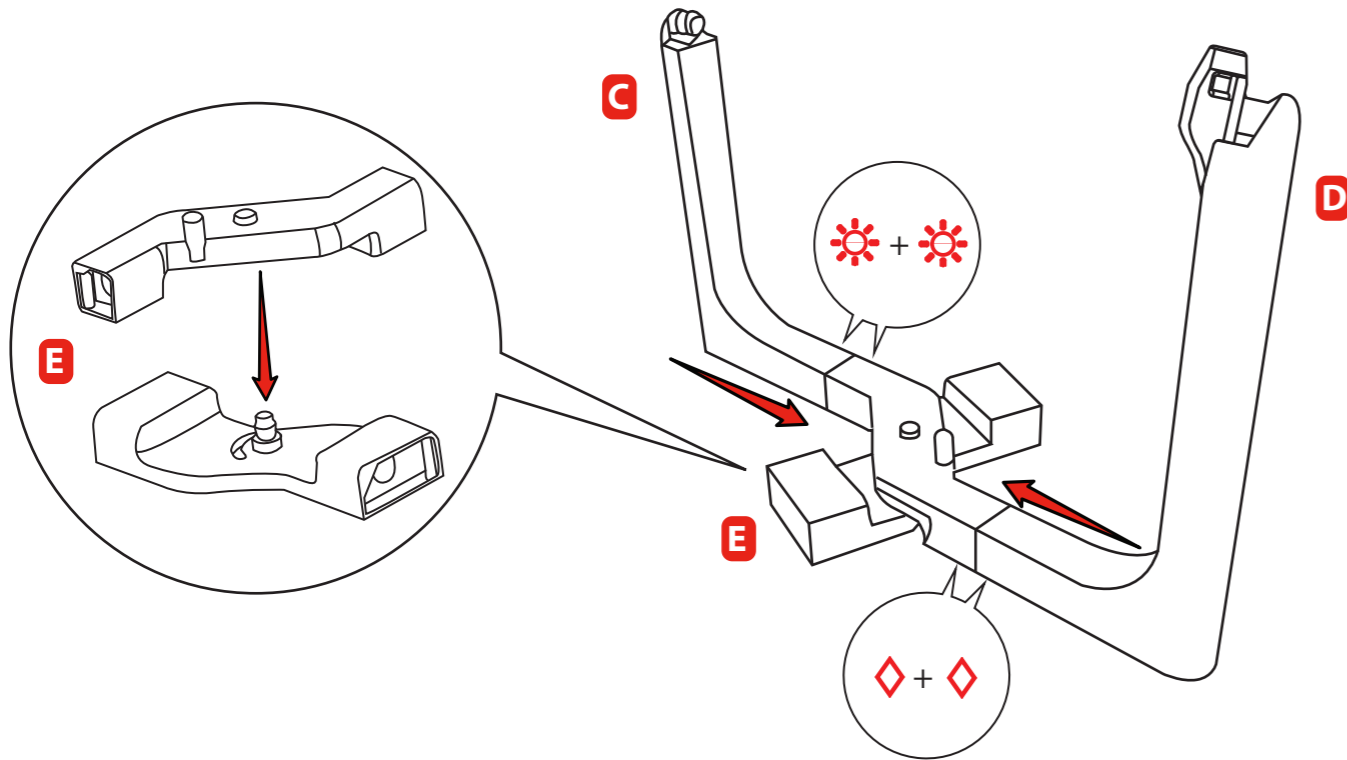
## Table Accessories



**ASSEMBLY TIP:** Each part has a symbol engraved on it. When assembling, make sure to match the symbols.

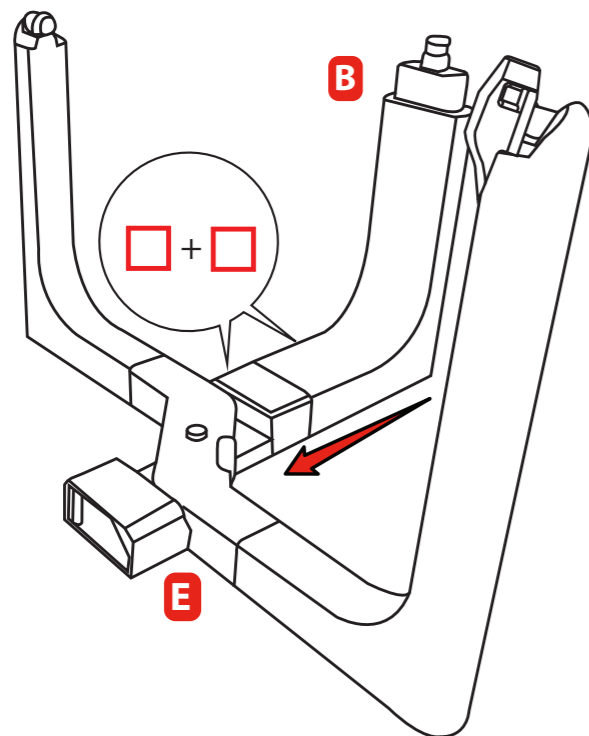
## 1 Start Building

First assemble the Folding Connector (E). Then, connect the Long Leg (C) and the Short Leg (D) into the Folding Connector (E). Make sure to match the symbols engraved on the Legs and Folding Connector.



## 2 Attach the Right Leg

Attach the Right Leg (B) into the Folding Connector (E).



4

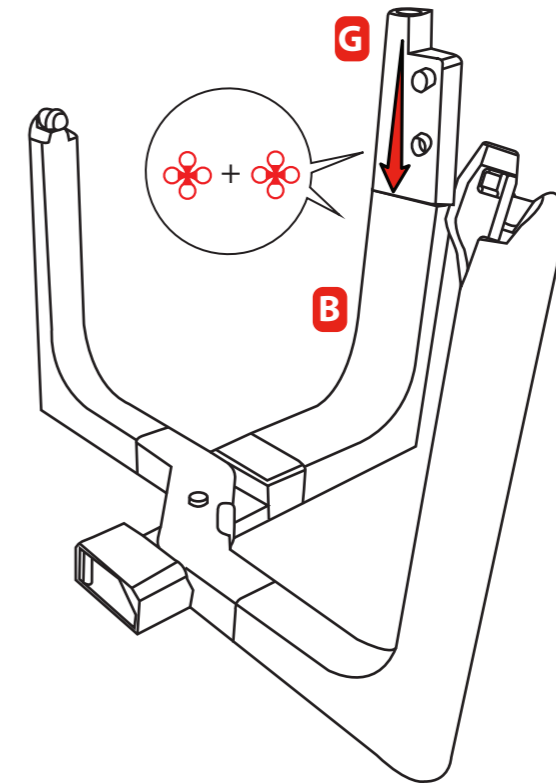


**WAIT!**

Once inserting the Tables into the Table Connectors in steps 4-6, make sure the bottom of the tables are snapped into the Long and Short Legs.

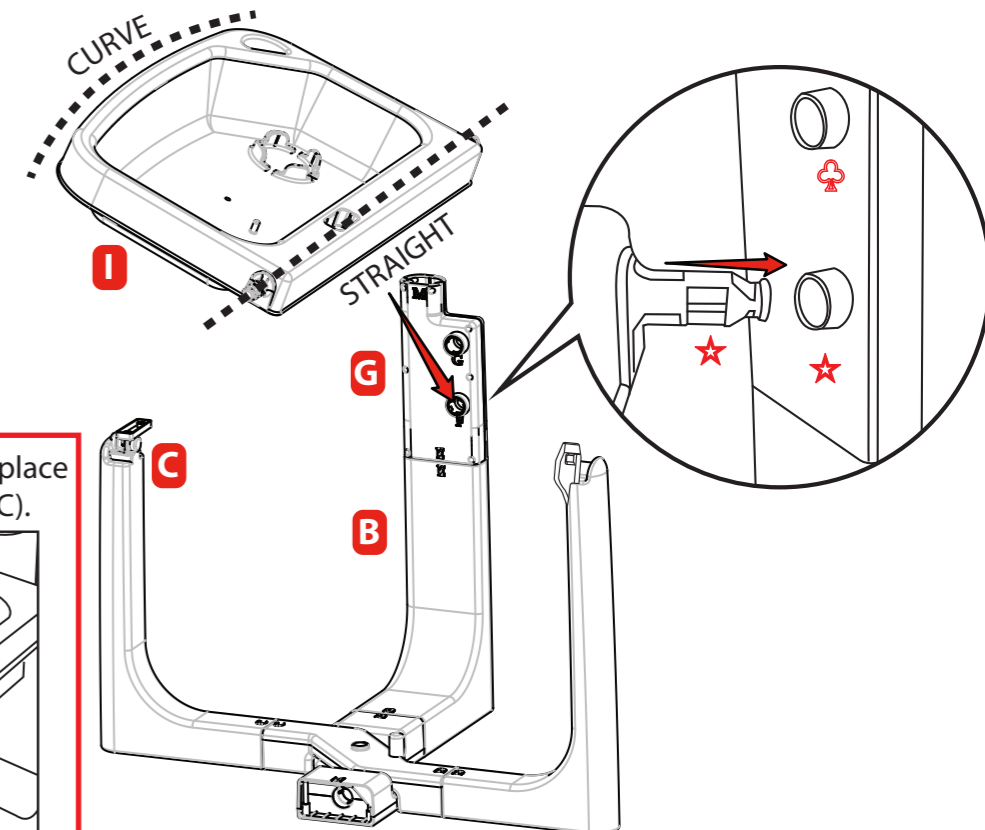
## 3 Attach the Right Table Connector

Attach the Right Table Connectors (G) to the Right Leg (B).

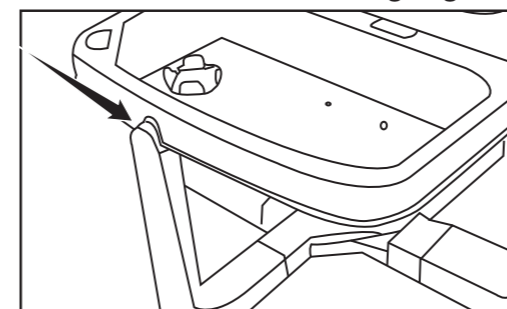


## 4 Connect the Bottom Table

Connect the Bottom Table (I) into the Right Table Connector (G) attached to the Right Leg. Take note of the direction the curve and straight sides of the table are facing.



**ASSEMBLY TIP:** For added support, place the Bottom Table over Long Leg (C).



5