



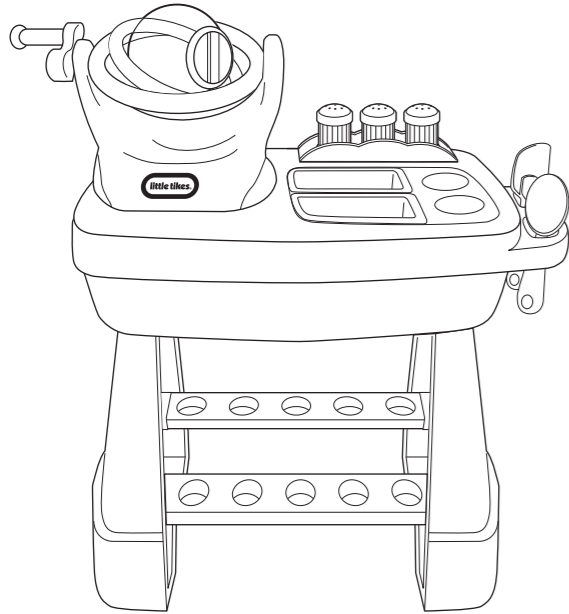
ENG



Now Make Real Ice Cream at Home

SKU: 656859E7C

Ages 3+ years



Illustrations are for reference only. Styles may vary from actual contents. Please remove all packaging including tags, ties & tacking stitches before giving this product to a child. Ice and ice cream ingredients not included.

**WARNING**  
**ADULT ASSEMBLY REQUIRED**

- Prior to assembly, this package contains small parts, sharp edges and sharp points. Keep away from children until assembled.
- Adult supervision required. Do not leave children unattended.
- Use this product on a firm, level surface.
- Do not allow children to sit, stand, play or climb on the top surface. Failure to do so may cause the product to become unstable.
- Do not kick, throw, or roll the ball as it will cause irreparable damage.
- This product is intended for use by children ages 3 years and up.
- This product is intended for use ONLY with supplied accessories.
- Do not store or leave ingredients in the container when not in use.
- Do not attempt to modify or repair this product. For help contact consumer service.

**CARE AND STORAGE**

- THIS TOY IS NOT DISHWASHER SAFE.
- Wash your hands and all accessories before and after playing.
- Protect and cover any surfaces before playing.
- Wash toy with warm water and mild dish soap only. Air dry only.
- DO NOT use scouring pads or cleansers on the canister as they will damage the surface.
- DO NOT place Freezer Ball or any other portion of this toy into a freezer or refrigerator as doing so may cause irreparable damage.

Please keep this manual as it contains important information.



0920-0-E7C



www.littletikes.com  
www.littletikes.co.uk  
www.littletikes.com.au

© The Little Tikes Company, an MGA Entertainment company. LITTLE TIKES® is a trademark of Little Tikes in the U.S. and other countries. All logos, names, characters, likenesses, images, slogans, and packaging appearance are the property of Little Tikes.

Printed in China

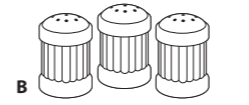
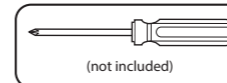
Little Tikes Consumer Service  
2180 Barlow Road Hudson, Ohio 44236  
U.S.A.  
1-800-321-0183

MGA Entertainment UK Ltd.  
50 Presley Way, Crownhill, Milton  
Keynes, MK8 0ES, Bucks, UK  
support@LittleTikesStore.co.uk  
Tel: +0 800 521 558

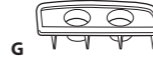
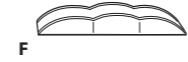
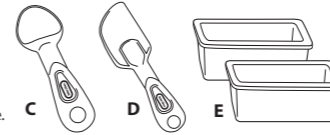
Imported by MGA Entertainment  
Australia Pty Ltd  
Suite 2.02, 32 Delhi Road  
Macquarie Park NSW 2113  
1300 059 676

**PARTS & ACCESSORIES**

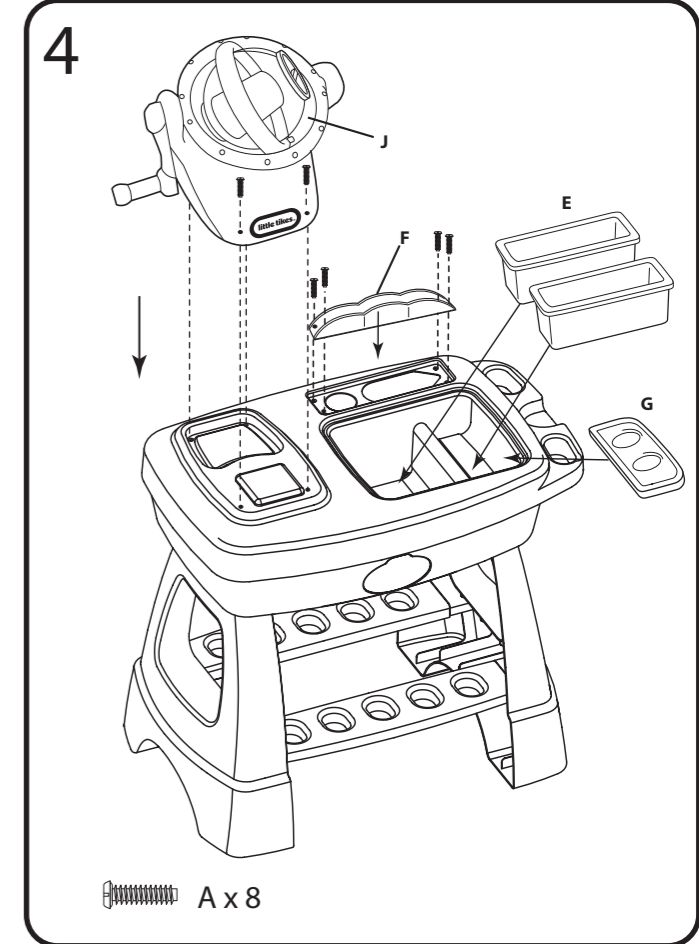
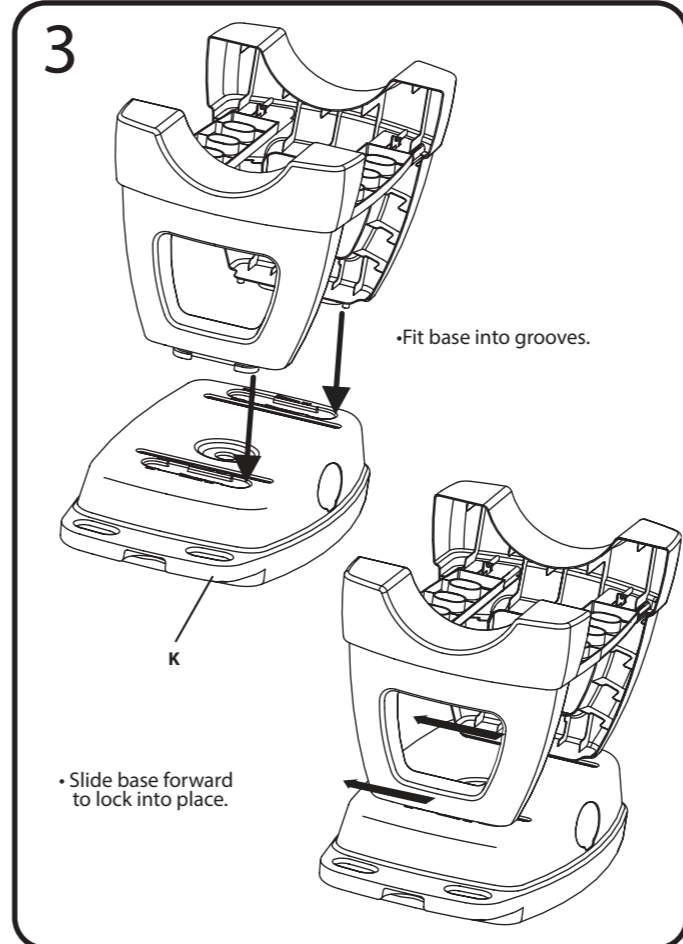
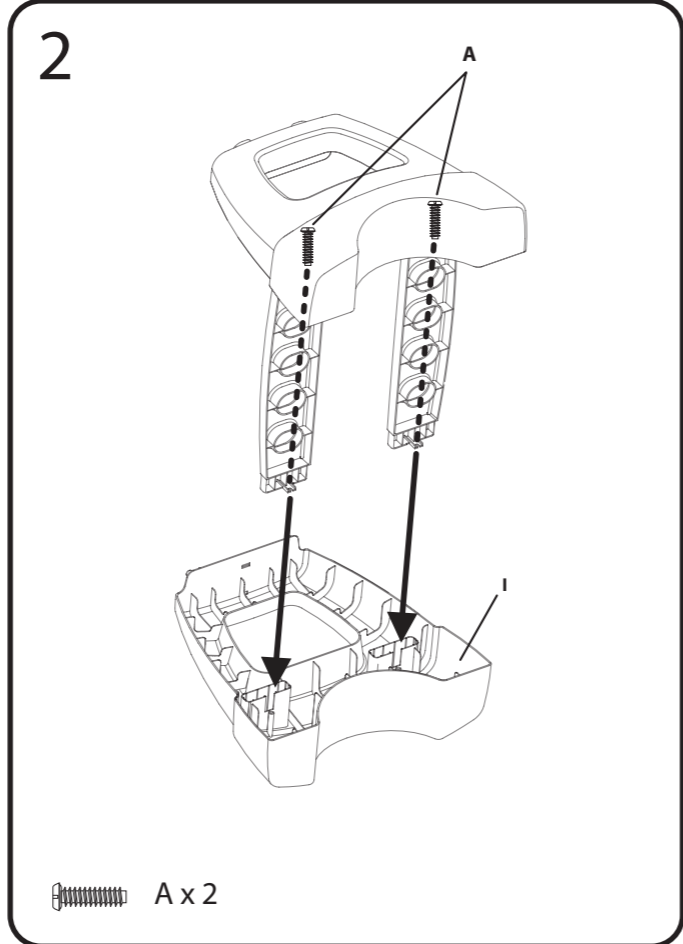
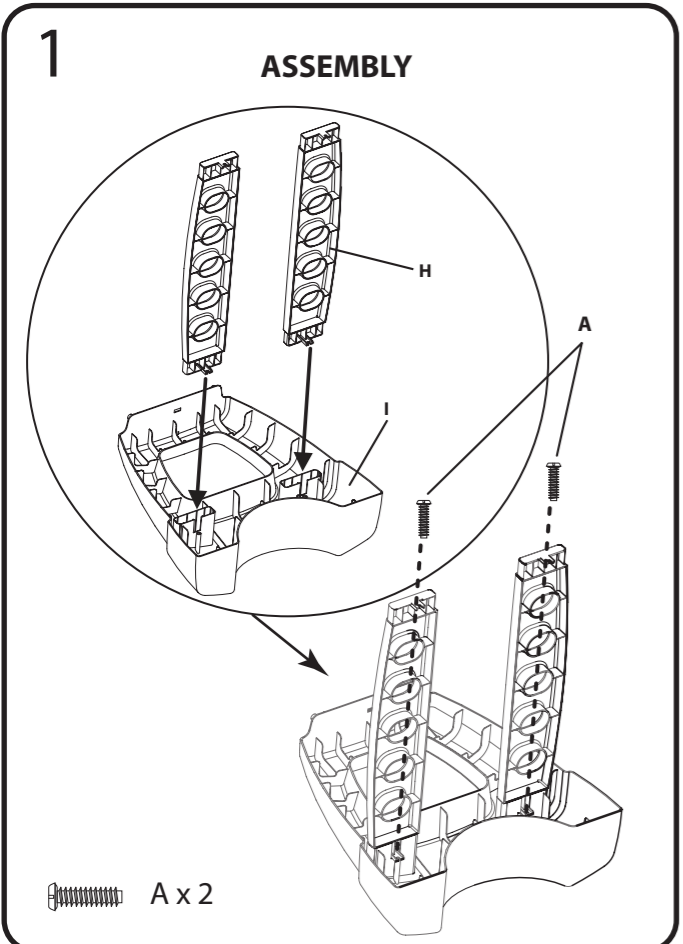
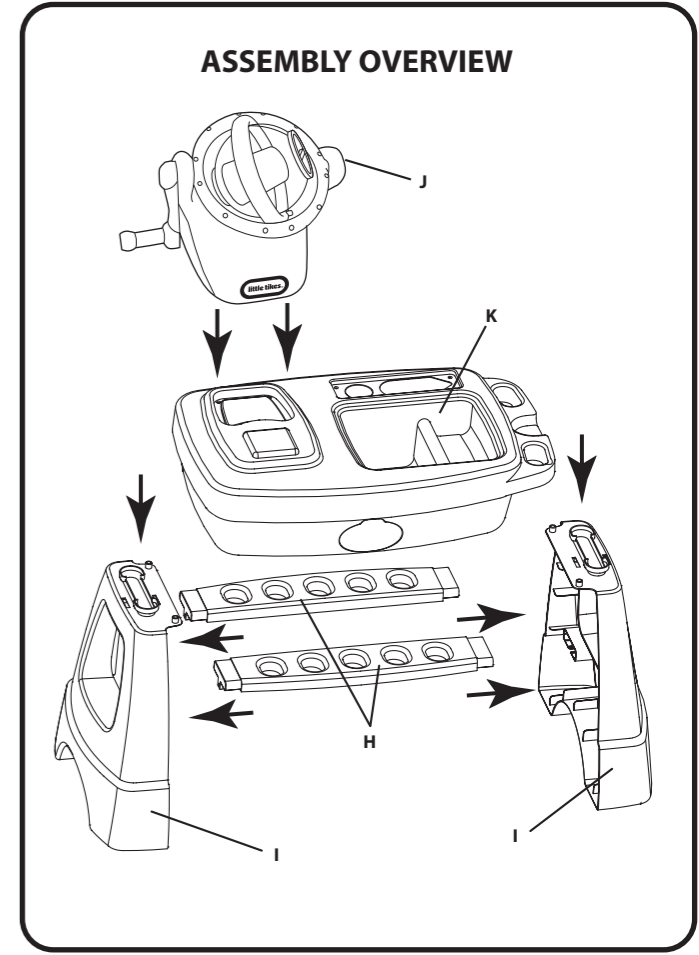
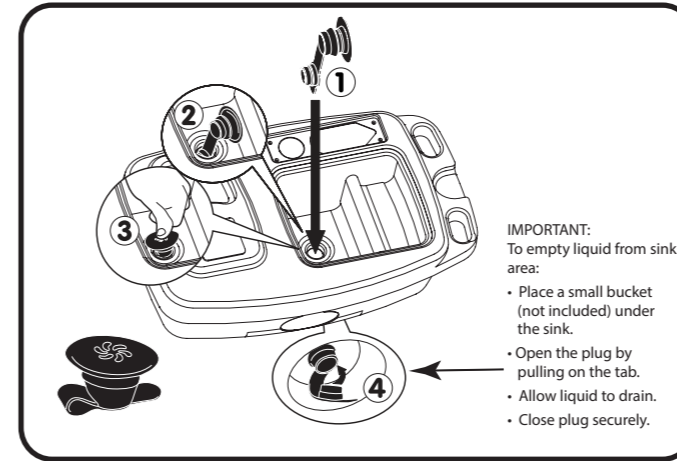
A X 12



NOTE: After filling Topping Containers, make sure top is firmly closed before use.



- |                      |                     |
|----------------------|---------------------|
| A. 12 Screws         | E. 2 Ice Cream Tubs |
| B. 3 Sprinkle Jars   | F. 1 Sprinkle Tray  |
| C. 1 Ice Cream Scoop | G. 1 Cone holder    |
| D. 1 Spatula         |                     |



## RECIPES

(ingredients not included)

### Basic Vanilla Ice Cream Recipe

(Makes 2 batches)

#### Ingredients for the Canister

- 8 ounces (240 ml) of heavy cream
- 1 teaspoon (5 ml) vanilla
- 1/4 cup (50 g) sugar

Mix ingredients in a bowl (not included) and pour half the mixture into the Canister, leaving 1/2 inch (1.27 cm) space at the top for expansion. Save and refrigerate the other half in a sealed container to make the second batch.

Close the Canister tightly.

#### Ingredients for the Freezer

- Ice cubes or crushed ice
- Rock salt

Layer ice cubes inside the Freezer with 1/2 cup (125 g) of rock salt. Close the Freezer tightly.

#### Mixing

Rotate handle continuously for 10 minutes for soft ice cream. Open the Canister and enjoy!

#### VARIATIONS

For other flavors:

Strawberry Ice Cream:

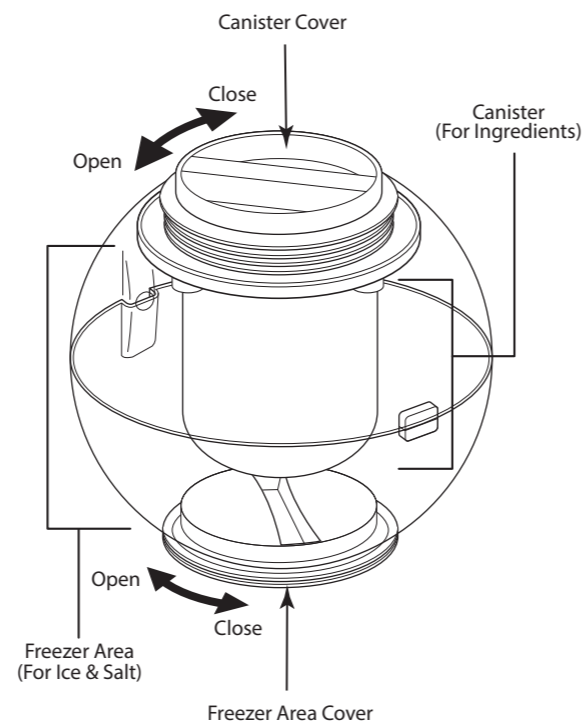
Add 2 tablespoons (15 ml) strawberry jam

Chocolate Chunk Ice Cream:

Add 2 tablespoons (20 g) chopped chocolate bar or chocolate chips

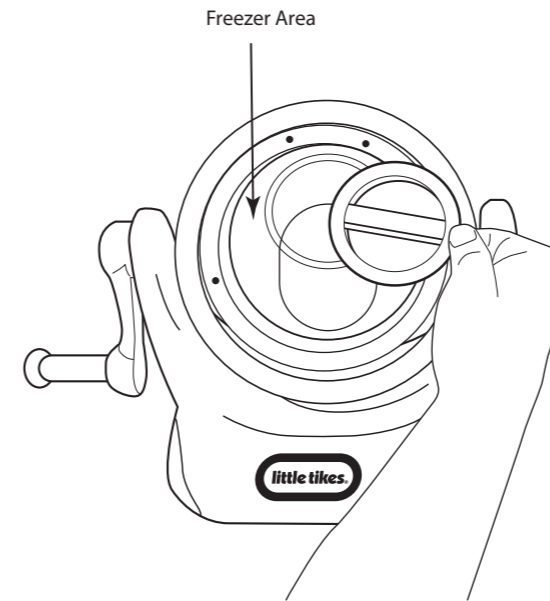
NOTE: If Ice Cubes are too large to fit into Freezer area, ask an Adult to place cubes into a plastic bag and crush them with a wooden kitchen mallet.

## FREEZER BALL DIAGRAM



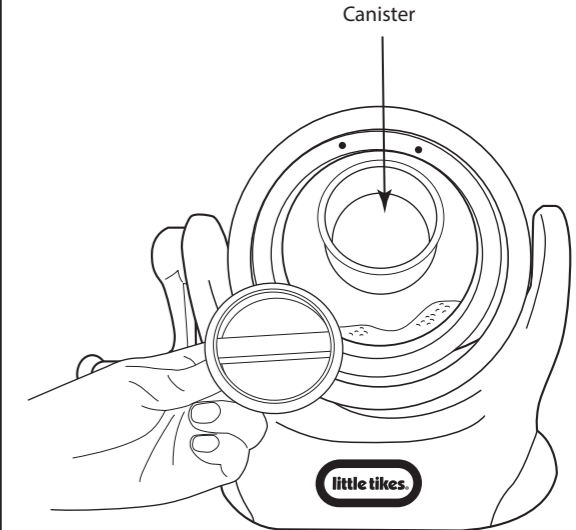
1

## MAKING ICE CREAM



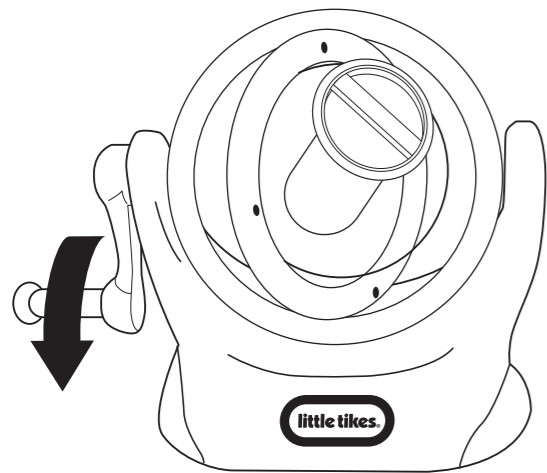
- Open the cover.
- Layer ice cubes and 1/2 cup of rock salt inside Freezer Area.
- Close cover tightly.

2



- Open the cover.
- Pour ice cream mixture into Canister, leaving 1/2 inch space at the top for expansion.
- Close cover tightly.

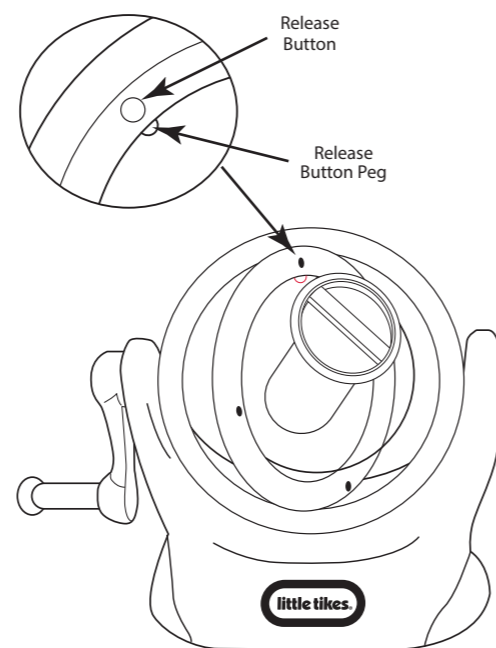
3



- Rotate handle continuously for 10 minutes for soft ice cream.

## REMOVING & REPLACING FREEZER BALL FOR CLEANING

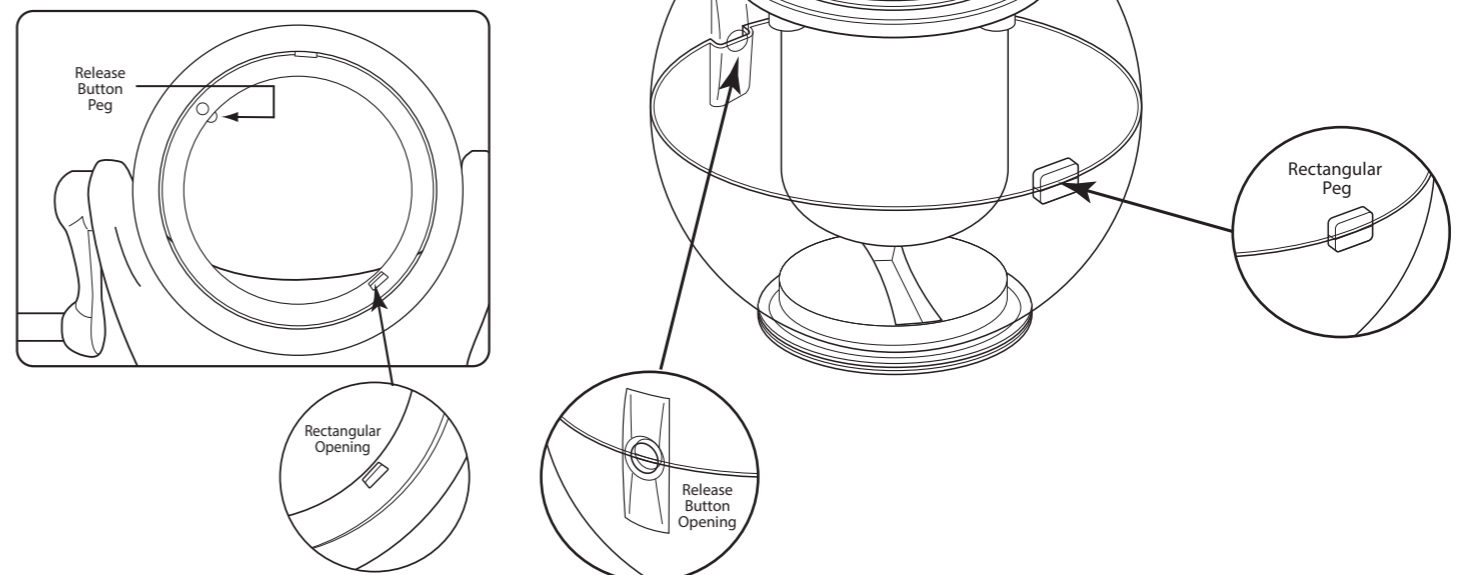
### REMOVING FREEZER BALL



- Press Release Button on the smaller ring.
- Gently remove Freezer Ball.

### REPLACING FREEZER BALL

- Insert Rectangular Peg on Freezer Ball into Rectangular Opening on smaller ring.
- Move Ball inside smaller ring until Release Button Peg snaps into Release Button Opening on Ball.



#### IMPORTANT NOTE REGARDING CANISTER CLEANING

- Remove Rubber Gaskets on Canister top and Canister lid with a soft, wooden toothpick. Do not use metal tools.
- Clean Gaskets and Gasket Tracks thoroughly and air dry.
- Gently replace Gaskets.