



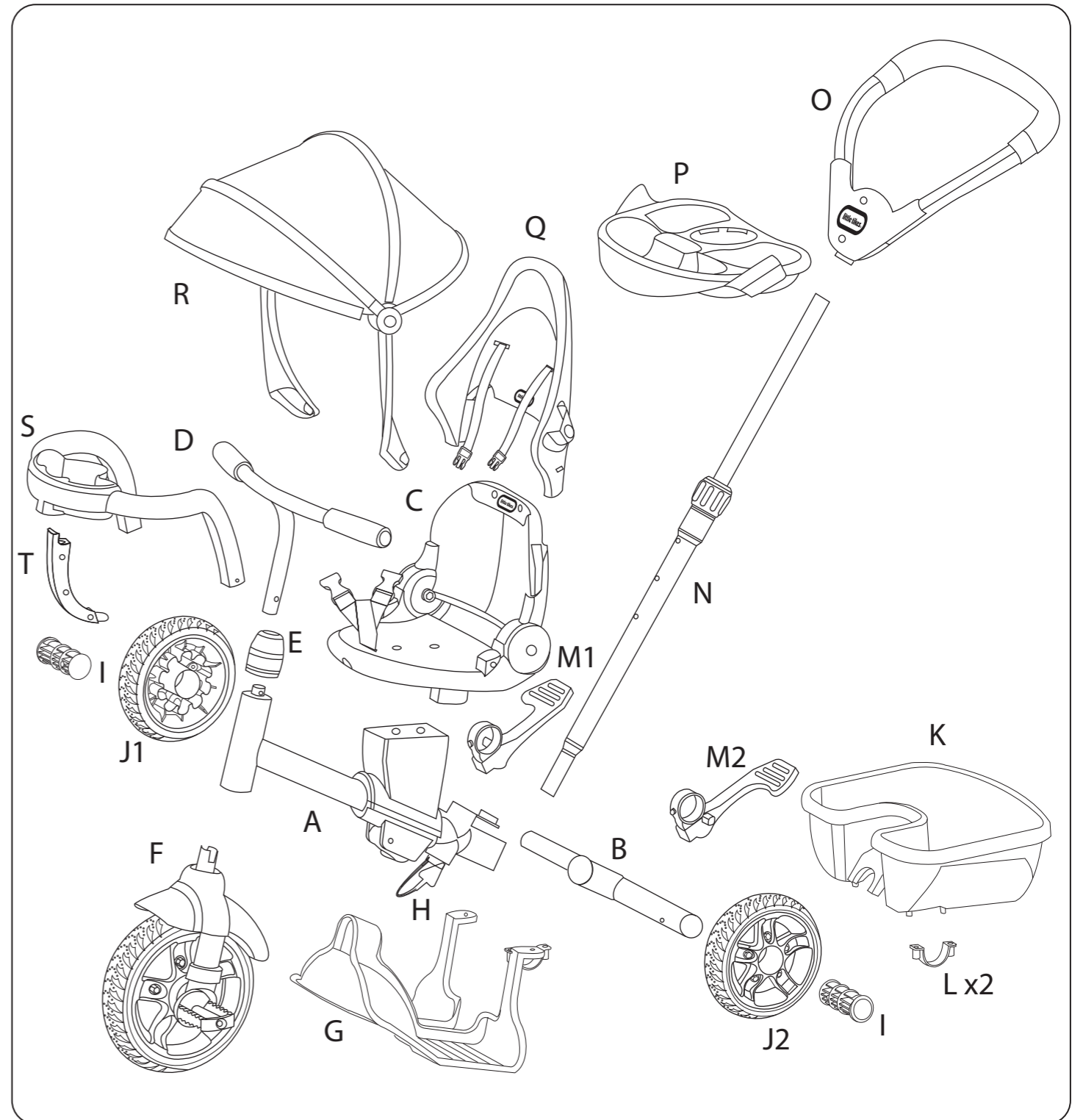
Perfect Fit™ 4-in-1 Trike

ENG

638695PC/639654PC/643705C

AGES: 9 MONTHS - 5 YEARS
ADULT ASSEMBLY AND SUPERVISION REQUIRED

CONTENTS



Please keep this manual as it contains important information.

© The Little Tikes Company,
an MGA Entertainment company.
LITTLE TIKES® is a trademark of Little Tikes in
the U.S. and other countries. All logos, names,
characters, likenesses, images, slogans, and
packaging appearance are the property of
Little Tikes.
Little Tikes Consumer Service
2180 Barlow Road Hudson, Ohio 44236 U.S.A.
1-800-321-0183
Printed in China

MGA Entertainment UK Ltd
50 Presley Way
Crownhill
Milton Keynes
MK8 0ES
Bucks, UK
0800 521 558
www.littletikes.com
www.littletikes.co.uk

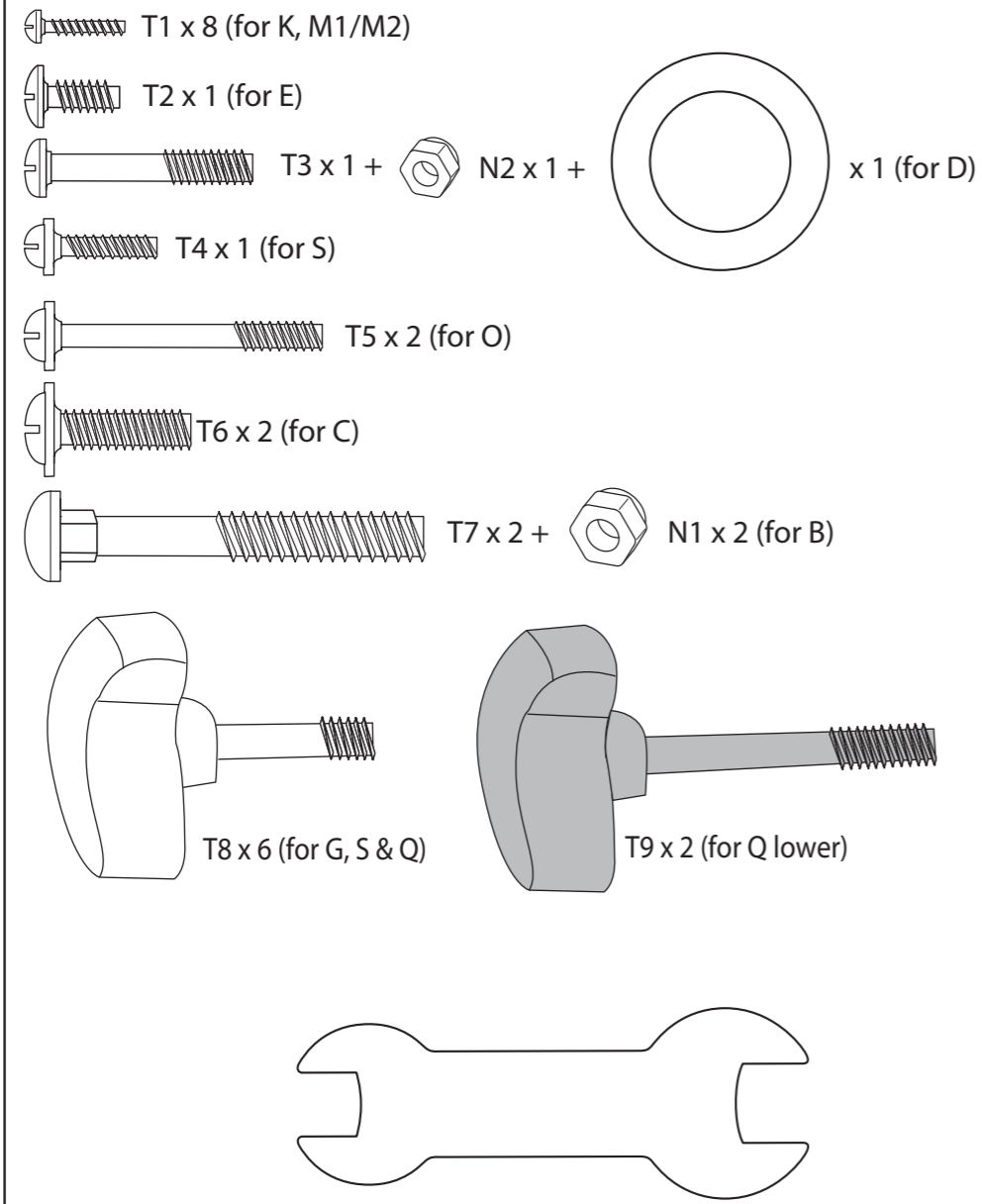


Visit our website at
www.littletikes.com
to register your product and
to enter our sweepstakes.
(No purchase necessary)



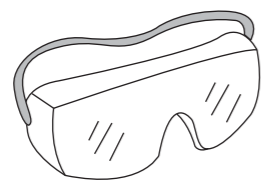
0816-3-C

INCLUDED HARDWARE

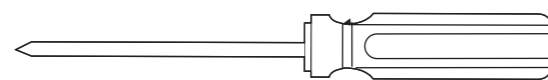


REQUIRED TOOLS FOR ASSEMBLY

(NOT INCLUDED)



Safety Goggles



Phillips Screwdriver

LIMITED WARRANTY

The Little Tikes Company makes fun, high quality toys. We warrant to the original purchaser that this product is free of defects in materials or workmanship for one year * from the date of purchase (dated sales receipt is required for proof of purchase). At the sole election of The Little Tikes Company, the only remedies available under this warranty will be the replacement of the defective part or replacement of the product. This warranty is valid only if the product has been assembled and maintained per the instructions. This warranty does not cover abuse, accident, cosmetic issues such as fading or scratches from normal wear, or any other cause not arising from defects in material and workmanship. *The warranty period is three (3) months for daycare or commercial purchasers.

U.S.A and Canada: For warranty service or replacement part information, please visit our website at www.littletikes.com, call 1-800-321-0183 or write to: Consumer Service, The Little Tikes Company, 2180 Barlow Road, Hudson OH 44236, U.S.A. Some replacement parts may be available for purchase after warranty expires—contact us for details.

Outside U.S.A and Canada: Contact place of purchase for warranty service. This warranty gives you specific legal rights, and you may also have other rights, which vary from country/state to country/state. Some countries/states do not allow the exclusion or limitation of incidental or consequential damages, so the above limitation or exclusion may not apply to you.



PLEASE READ INSTRUCTIONS
BEFORE ASSEMBLING AND OPERATING.

Please save sales receipt for proof of purchase.

 **WARNING: ADULT ASSEMBLY REQUIRED.**

- Read entire instructions carefully before assembling this product.

 **WARNING: ASSEMBLY**

- Keep these instructions for future reference.
- Prior to assembly, this package contains small parts: hardware which is a choking hazard and may contain sharp edges and sharp points. Keep away from children until assembled.
- Ensure working area is free of danger. Always dispose of packaging material in such a way that it may not cause any harm. Plastic bags can be dangerous. To avoid suffocation, keep plastic bags away from babies and children.
- To prevent serious injury, children must not use the equipment until completely assembled.
- This product is intended for outdoor domestic family use only.
- This product is for private, residential use only (no commercial or public use).
- Adult assembly required. Choking hazard to children under the age of 3 years - contains small parts prior to assembly.

ASSEMBLY HINT

Assemble all parts together loosely at first. Check that assembly is correct, then tighten all screws.

 **WARNING: TO AVOID SERIOUS INJURY:**

- Continuous adult supervision required.
- Never use near motor vehicles.
- Never use near streets, swimming pools, hills, steps, or sloped driveways.
- Always wear closed shoes when using the tricycle.
- Never allow more than one rider on the tricycle.
- Instruct children on proper use of this product before allowing them to ride.
- This product is not to be used in a manner other than for which it is intended.
- It is recommended that rider always wear a properly fitted helmet that complies with U. S. Consumer Product Safety Commission (CPSC) standard 16 CFR 1203.
- Ride-on toys should be used with caution since skill is required in order to avoid falls or collisions which may cause injury to the user or third parties.

 **WARNING!** Not to be used by children over the age of five (5) years due to size limitation.

- Intended for children 9 months to 5 years.
- Maximum child's weight: 50 lbs. (23 kg).
- The maximum permissible load for basket: 4 lbs. (1.82 kg). The maximum permissible load for accessory tray: 2 lbs. (0.9 kg). The maximum permissible load for child's tray: 2 lbs. (0.9 kg). Excessive weight may cause a hazardous or unstable condition.
- Safeguard the product against rolling away when parking it by using the rear wheel brakes.

MAINTENANCE & CLEANING

- Check all hardware during usage period and tighten as required. It is particularly important that this procedure be followed at the beginning of each season. If these checks are not carried out, the toy could overturn or otherwise become a hazard.
- Do not attempt to modify or repair this product. For help contact Little Tikes Consumer Service.
- Clean trike with a slightly damp cloth (cold water) and mild soap. Never use a corrosive or abrasive substance to clean the product.

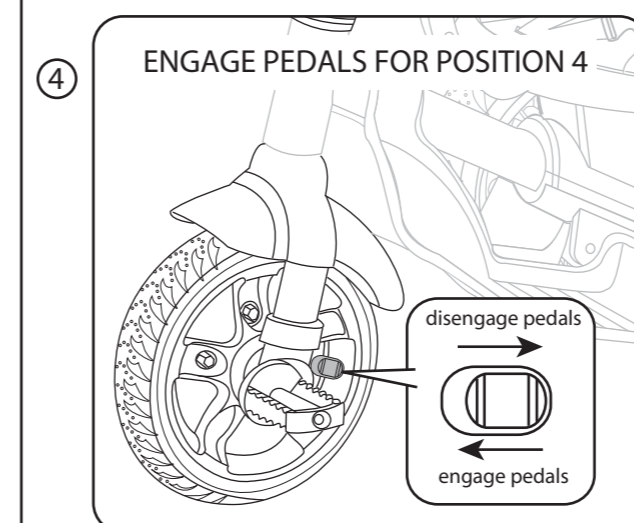
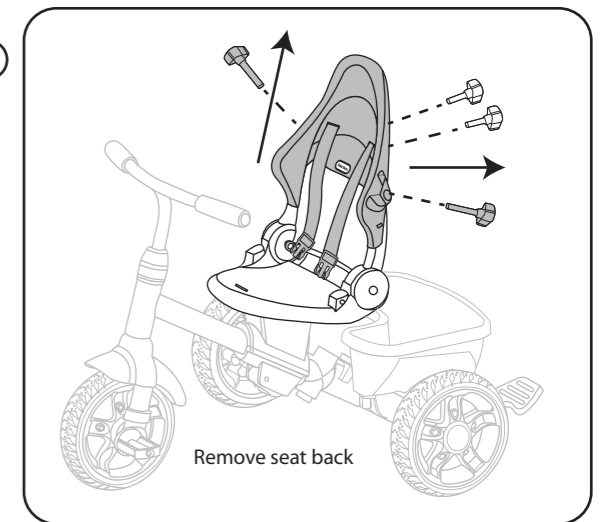
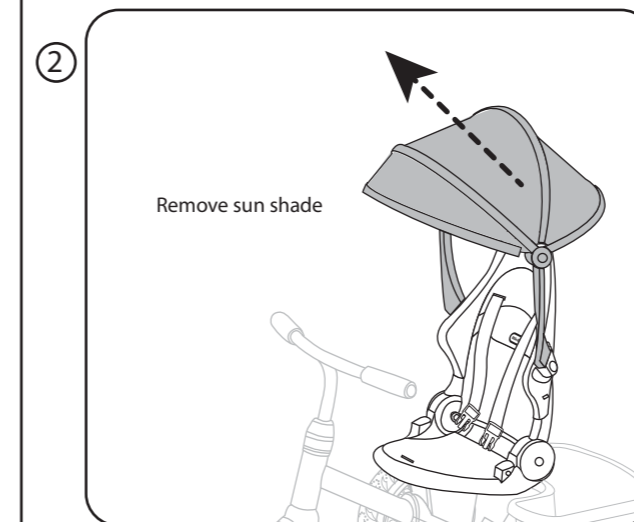
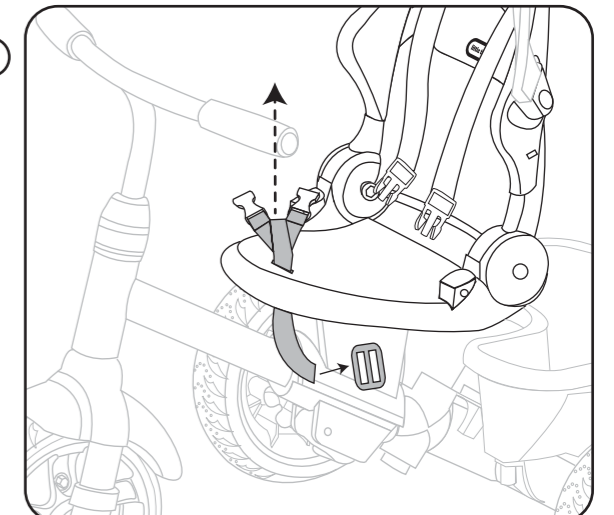
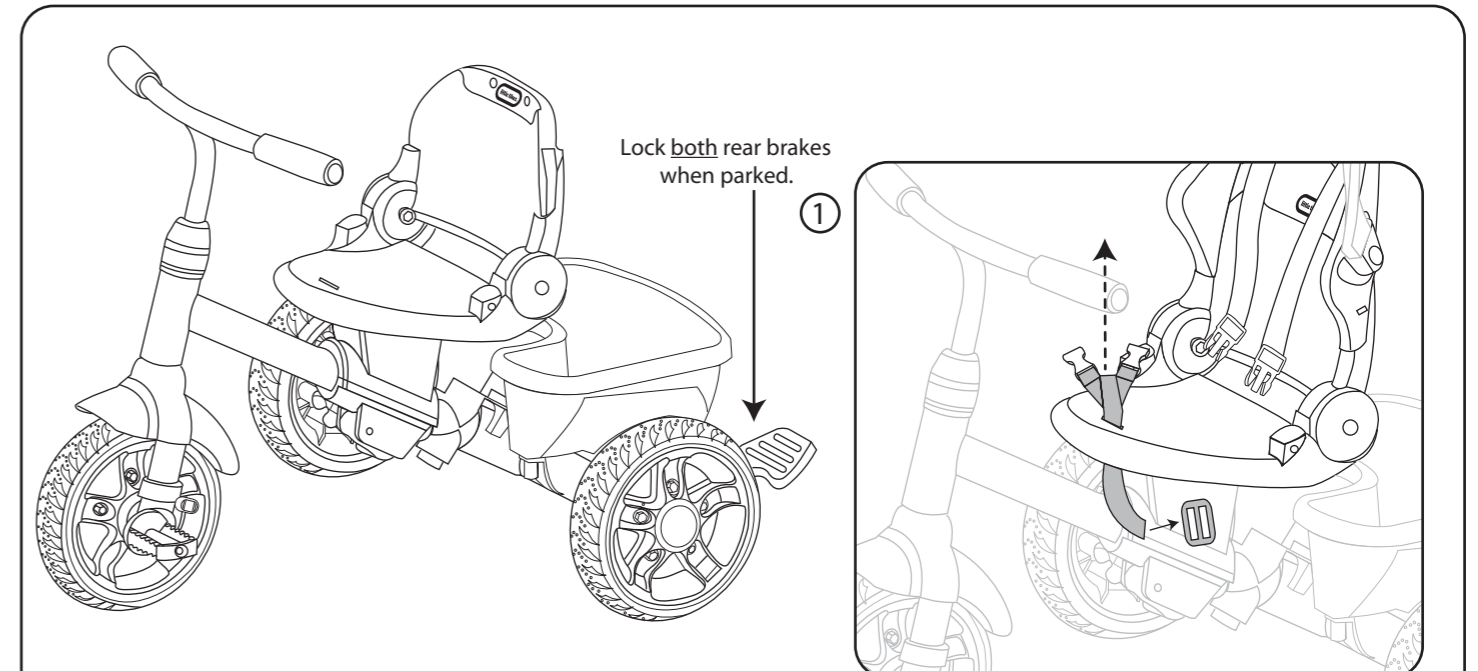
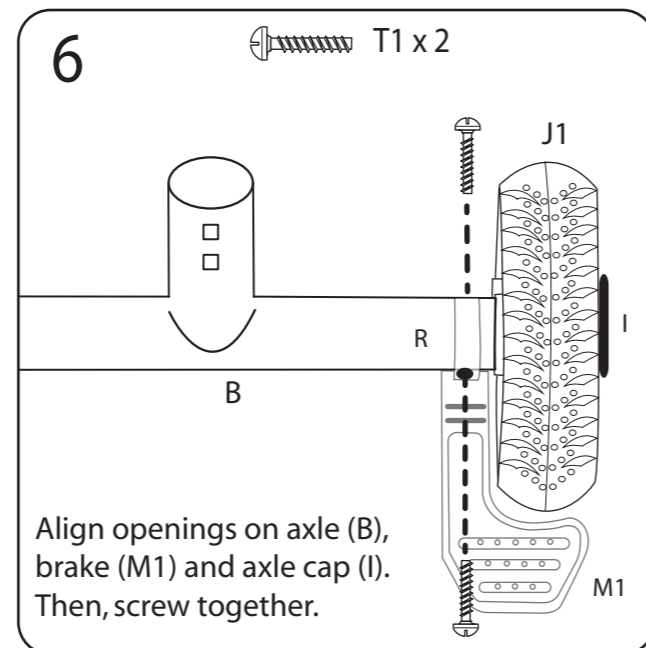
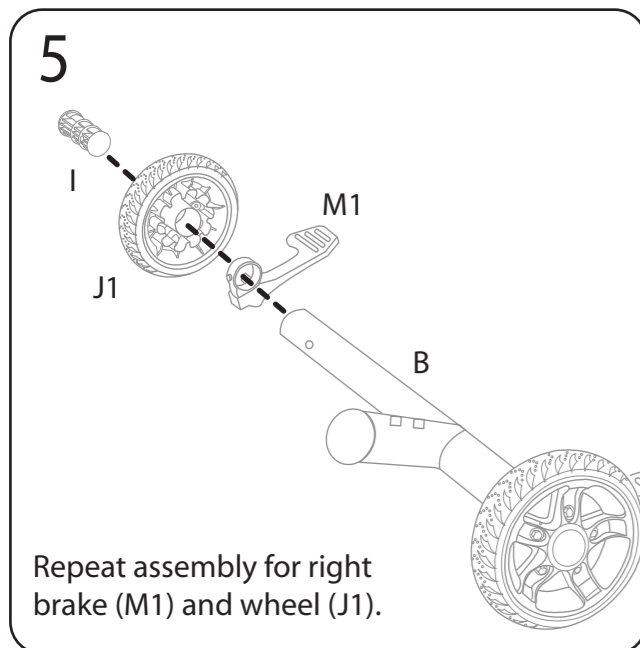
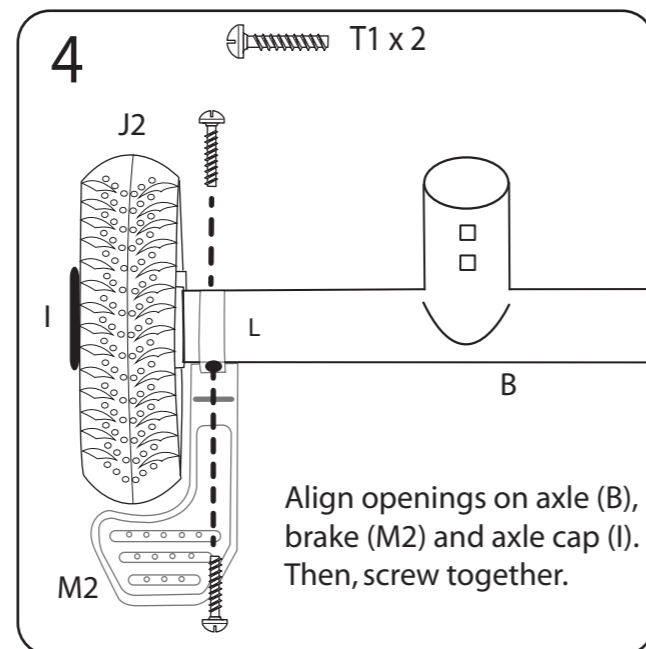
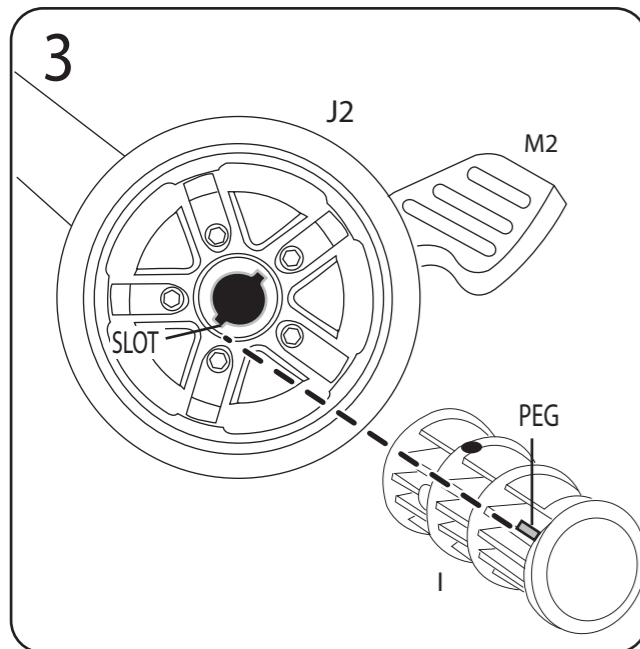
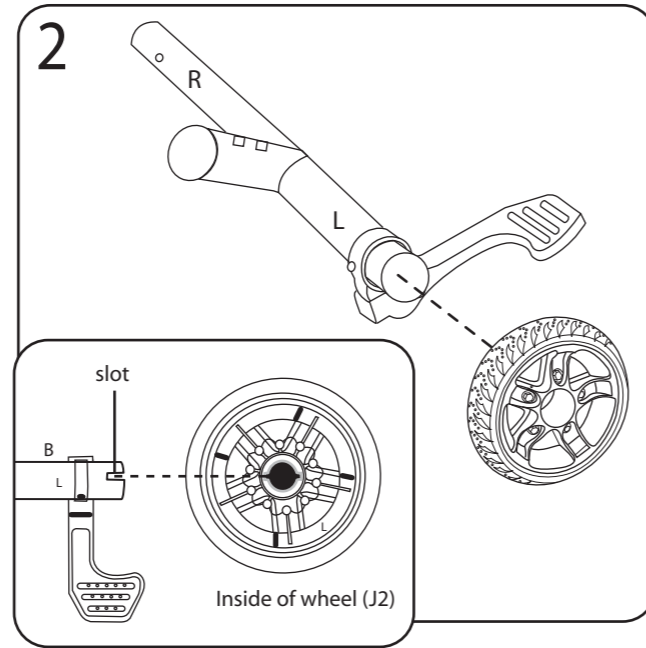
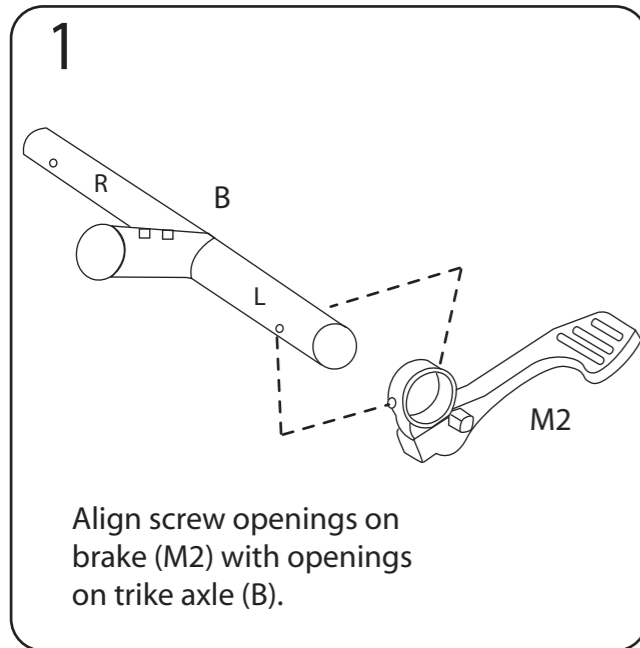
DISPOSAL

- Disassemble and dispose of equipment in such a manner that no hazardous conditions, such as but not limited to, small parts and sharp edges, exist at the time equipment is discarded.

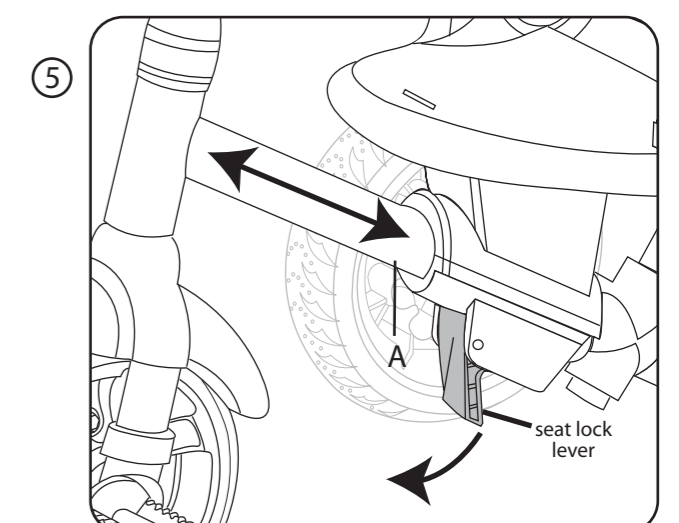
This page is intentionally left blank.

The right wheel and right brake have two lines (=). The left wheel and left brake have one line (-).
 Inside the wheels and under the brakes are R and L indicators for right and left.

POSITION 4 - TRIKE

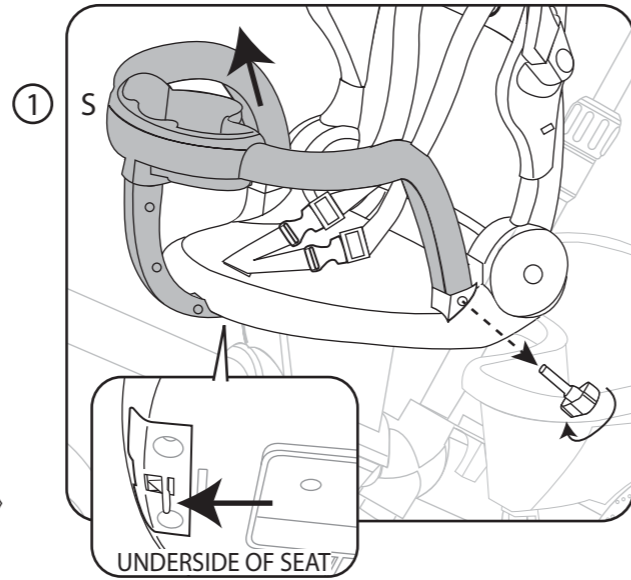
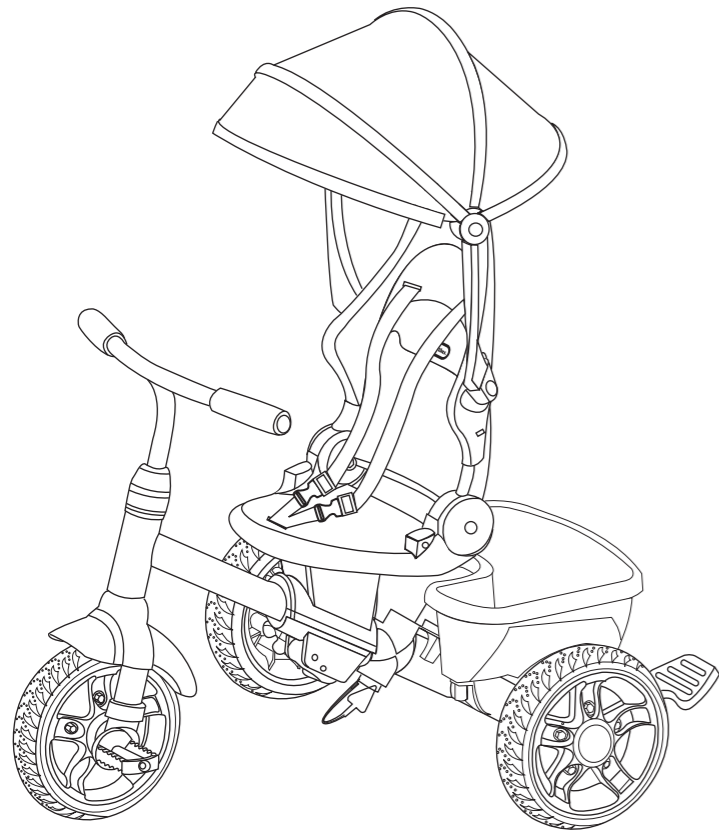


Push in button. Then, slide to move. Rotate the front pedal if the button does not fully slide.

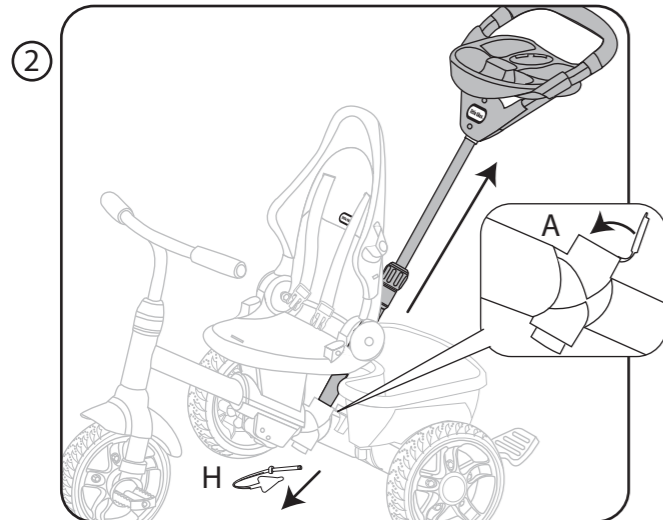


Pull down seat lock lever on trike frame (A). Then, slide the seat to the desired position. Press the seat lock lever up to lock the seat in place.

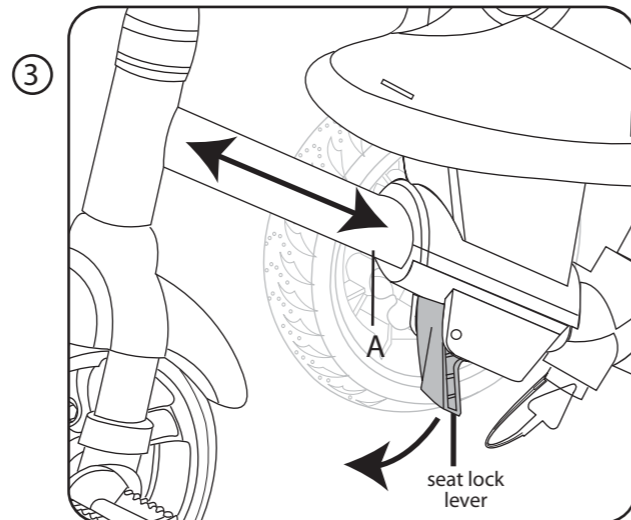
POSITION 3 - LEARN



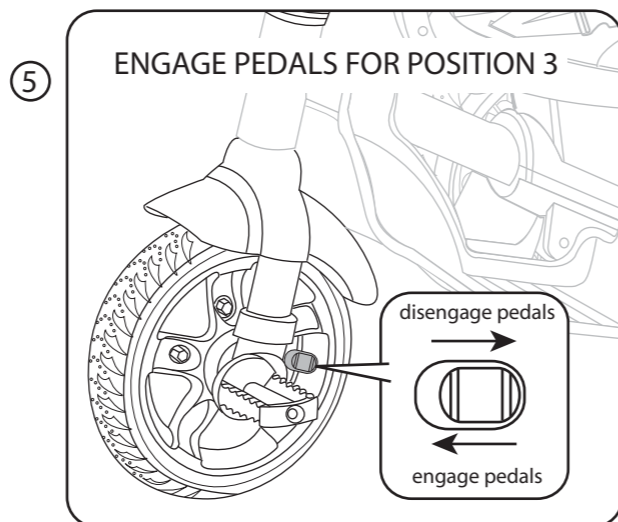
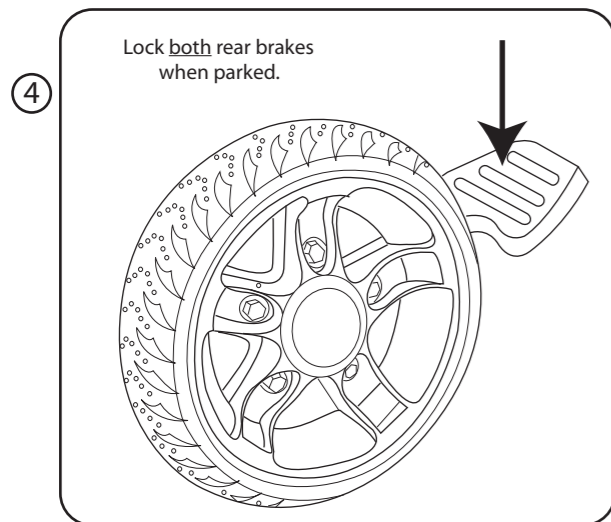
Remove the safety bar (S): unscrew each side of safety bar and lift up. Then, push the lock (underneath the seat) forwards to unlock. Pull out the safety bar.



Remove handle with tray. Then, close the cap on the frame (A). Replace handle lock (H) onto the frame or store in a safe place for future use.

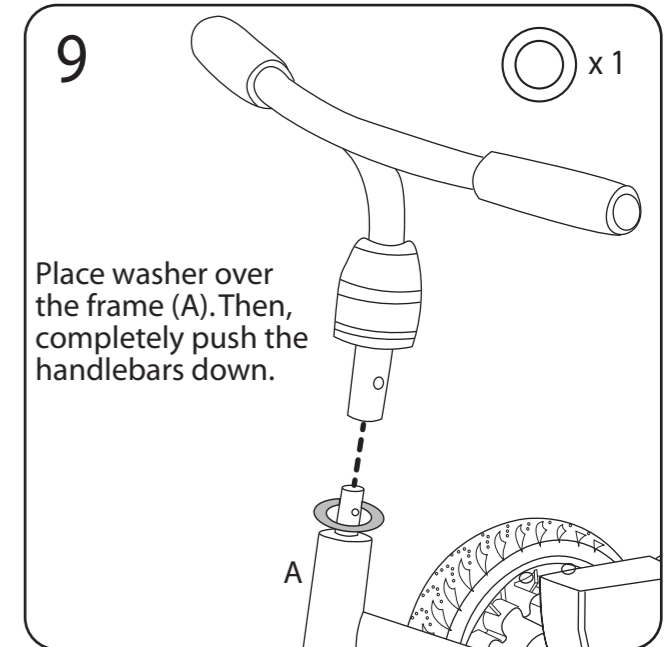
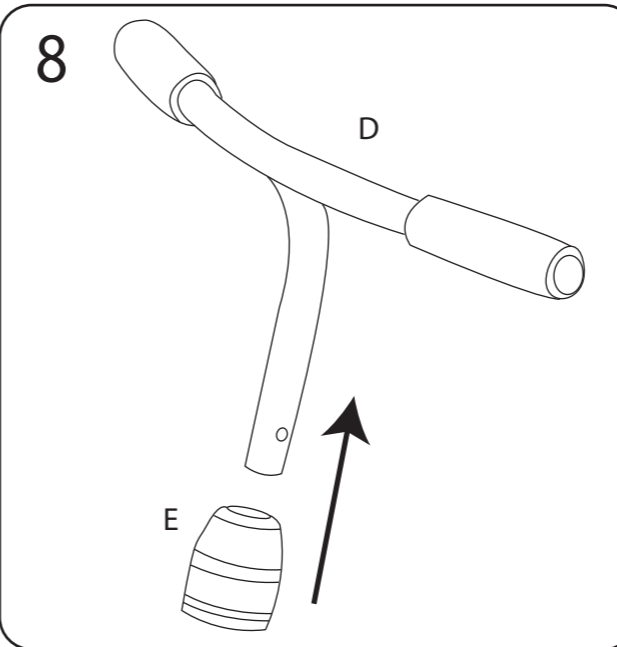
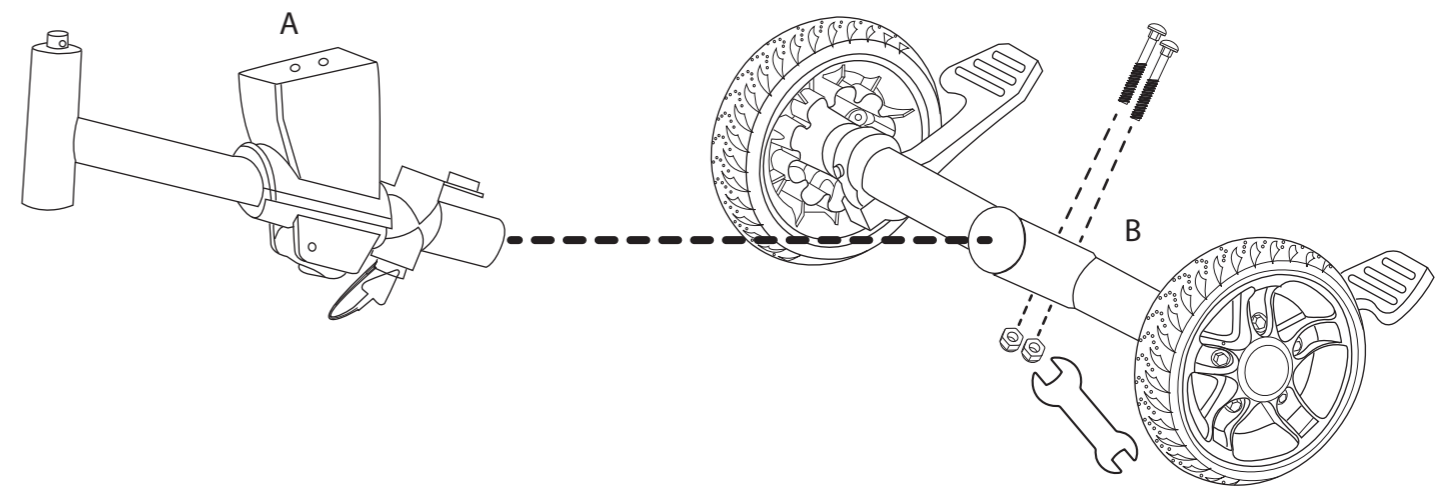


Pull down seat lock lever on trike frame (A). Then, slide the seat to the desired position. Press the seat lock lever up to lock the seat in place.

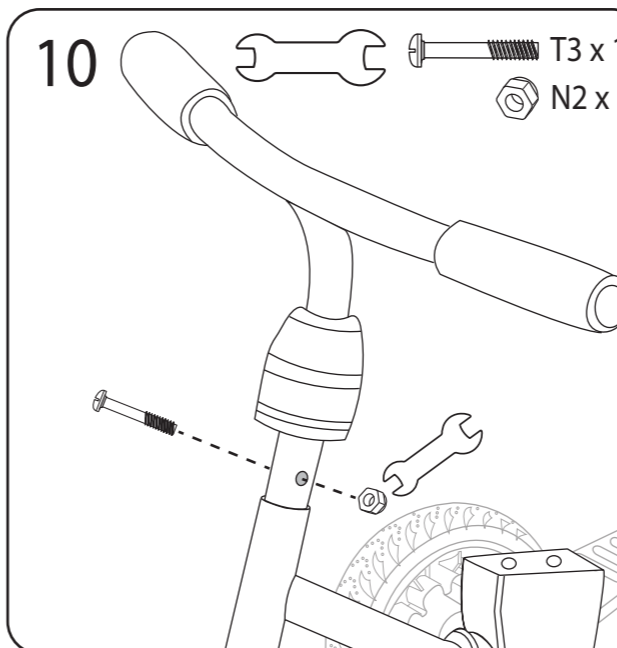


Push in button. Then, slide to move. Rotate the front pedal if the button does not fully slide.

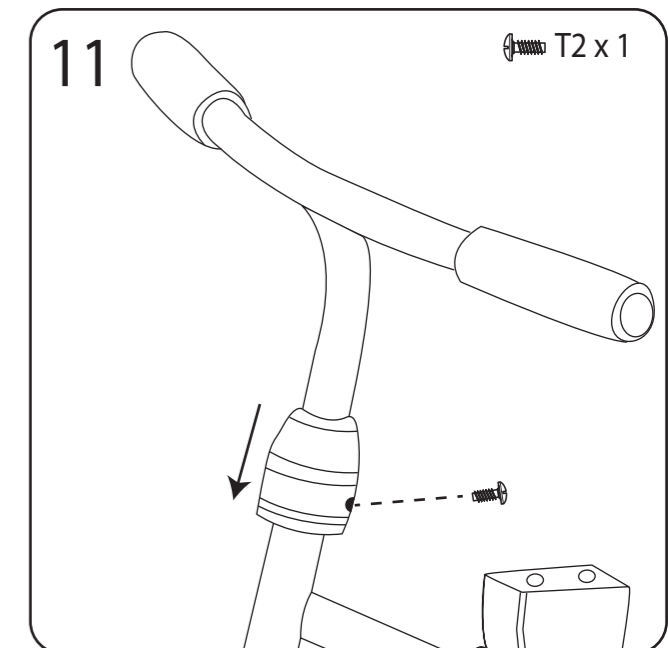
7 T7 x 2 N1 x 2



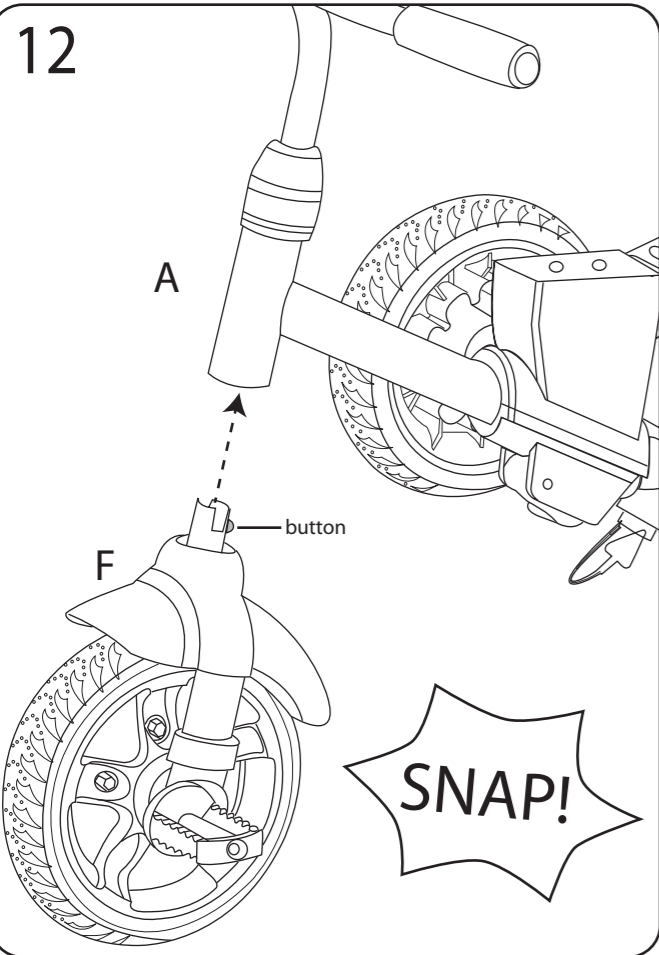
Place washer over the frame (A). Then, completely push the handlebars down.



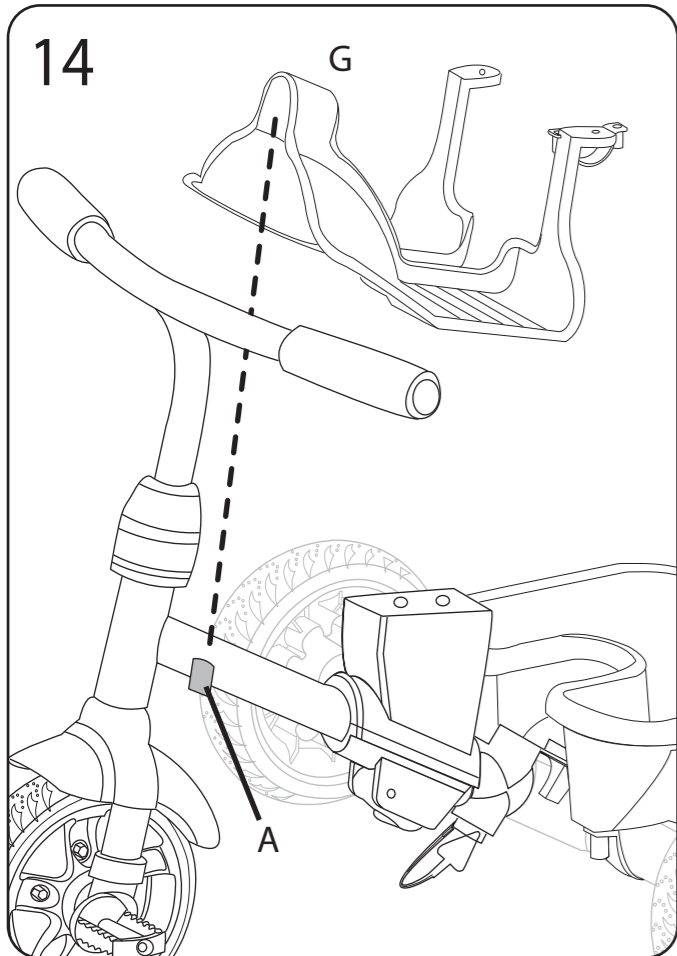
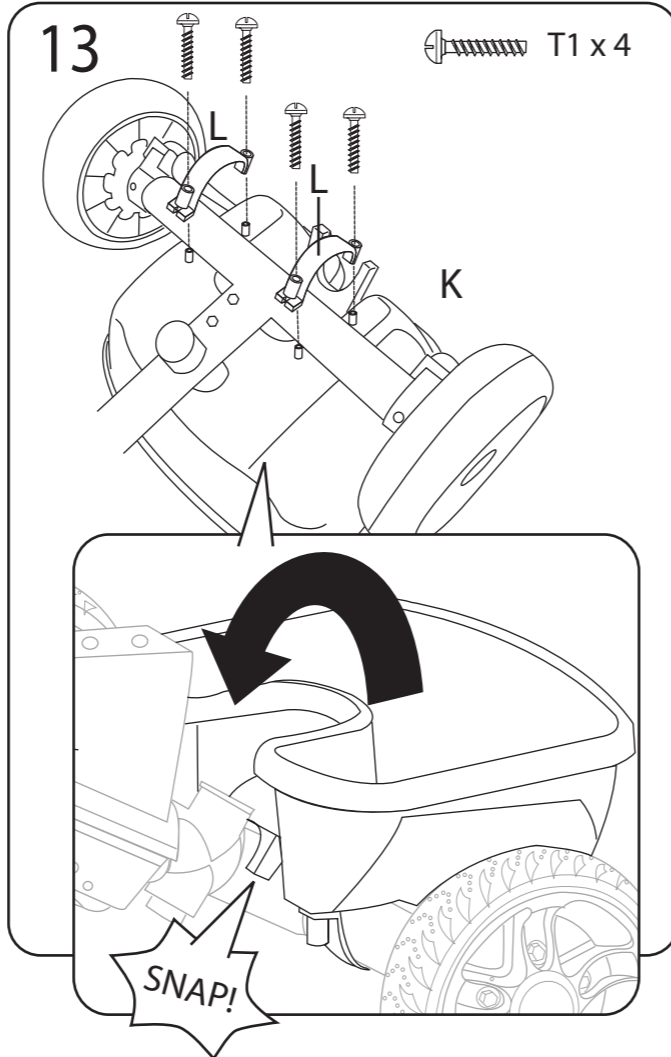
Secure handlebars (D) with a screw and nut (T3+N2).



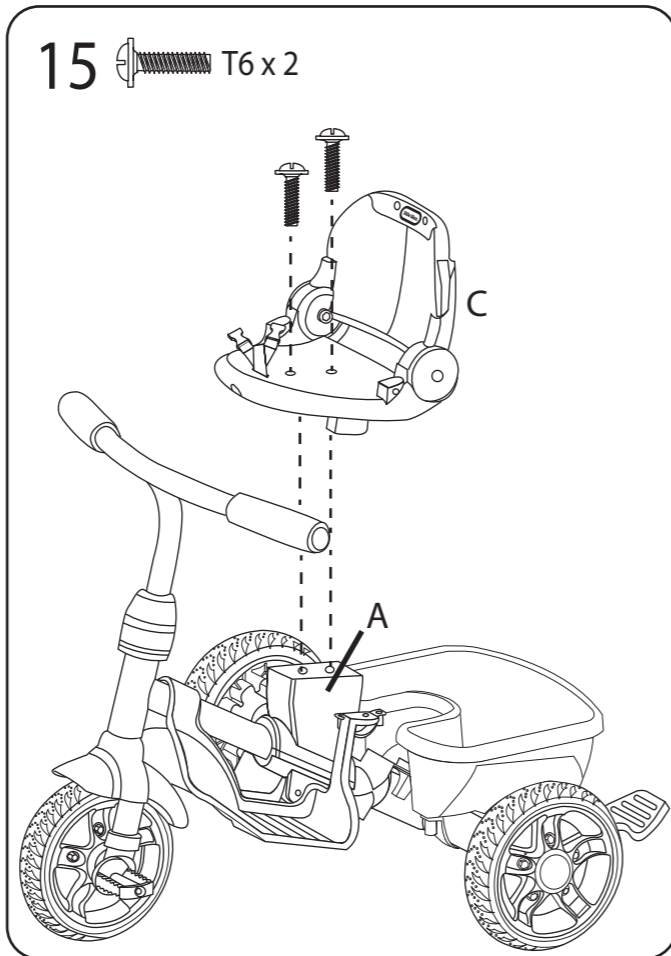
Push cap (E) down and secure with a screw (T2).



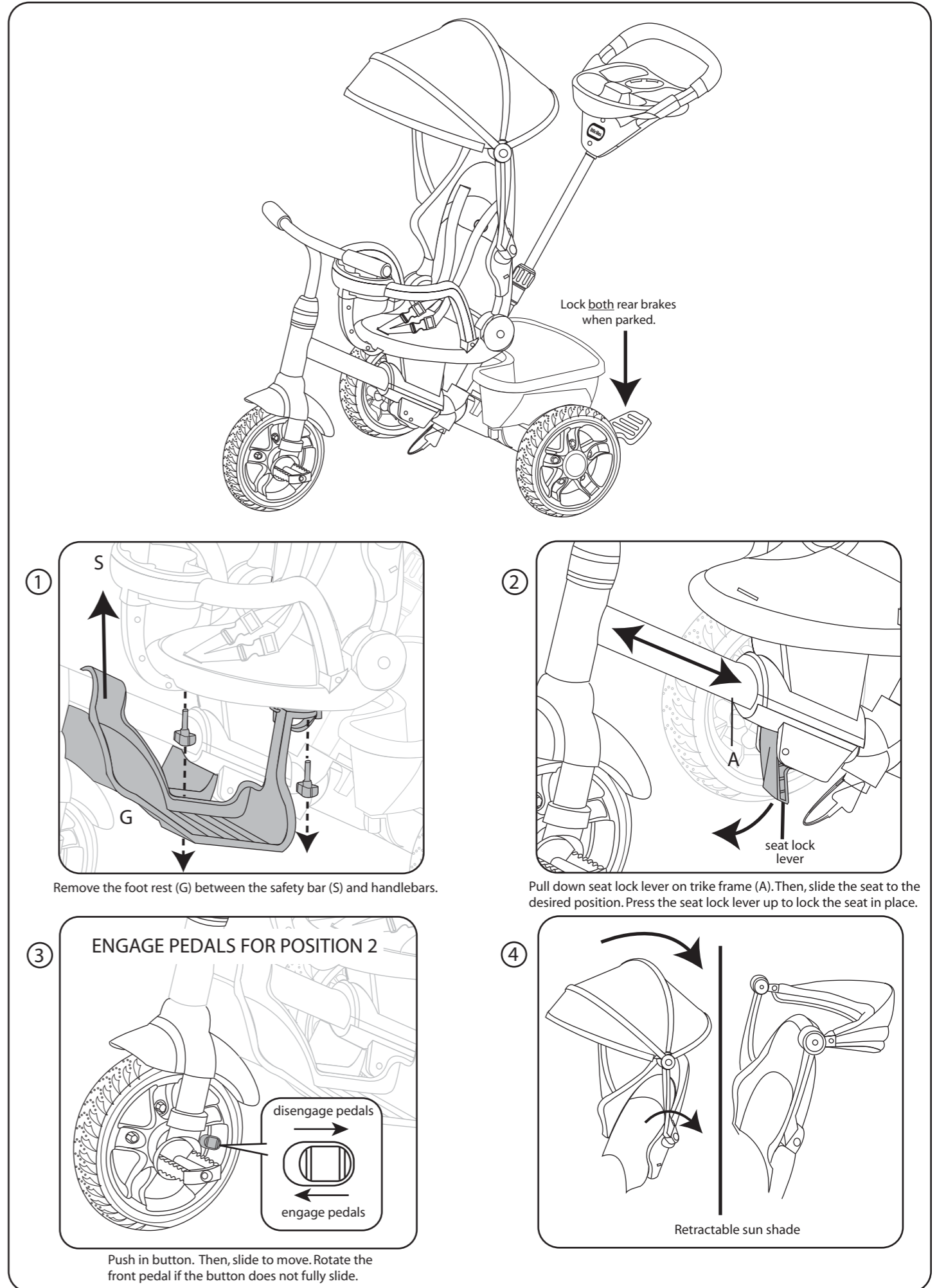
Press frame (A) and front wheel (F) together until the button snaps into place.



Fit foot rest over metal support on the frame (A).



POSITION 2 - PEDAL



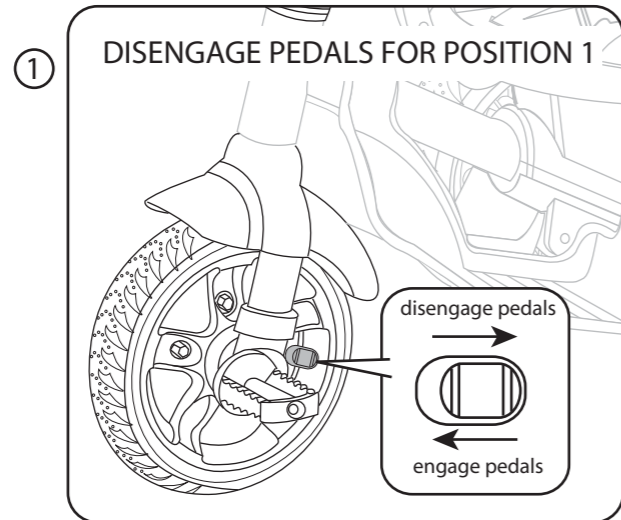
Remove the foot rest (G) between the safety bar (S) and handlebars.

Pull down seat lock lever on trike frame (A). Then, slide the seat to the desired position. Press the seat lock lever up to lock the seat in place.

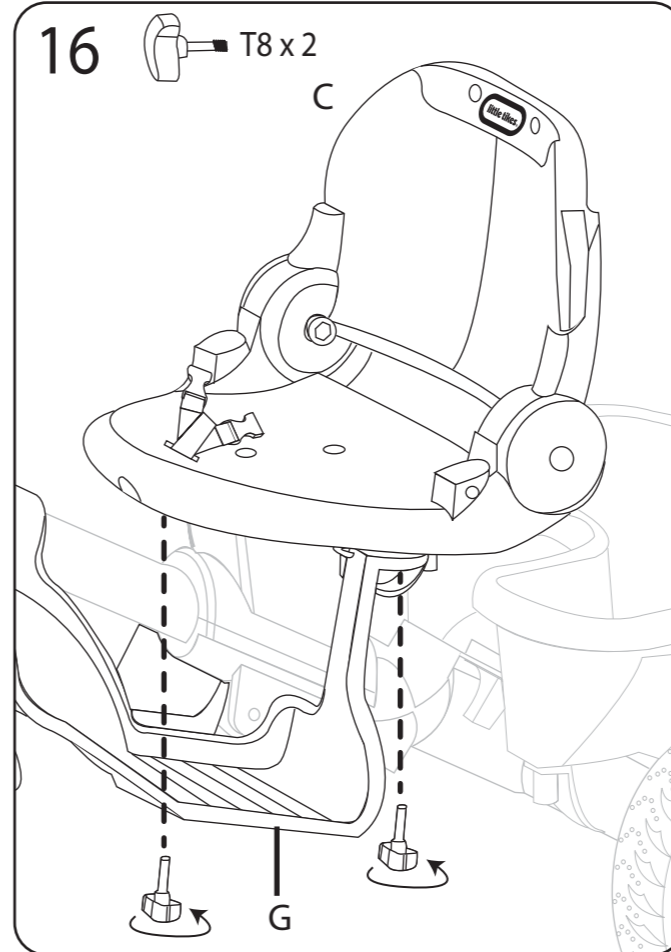
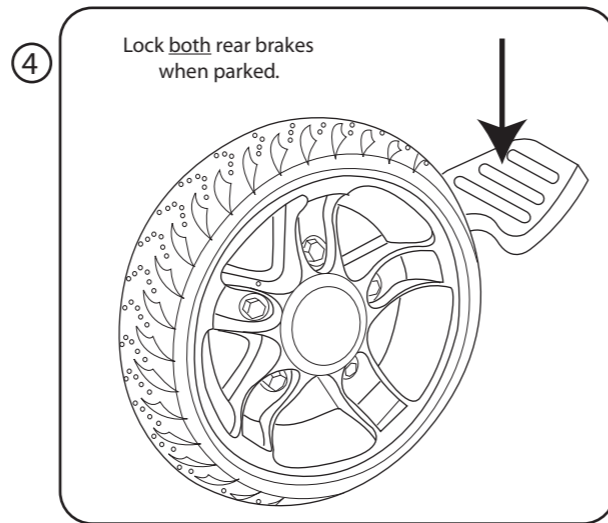
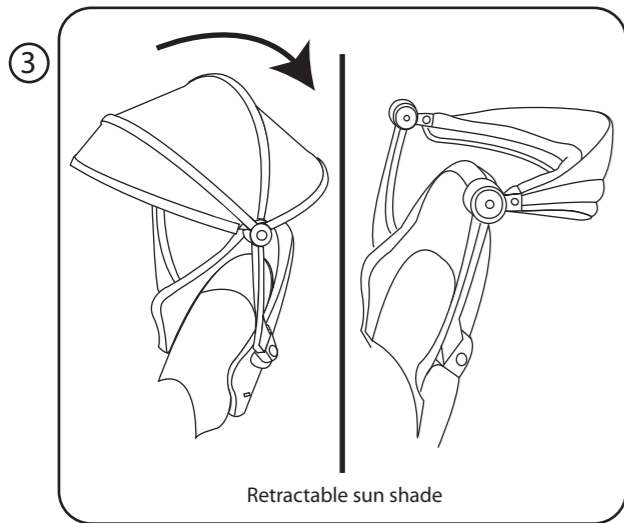
Push in button. Then, slide to move. Rotate the front pedal if the button does not fully slide.

Retractable sun shade

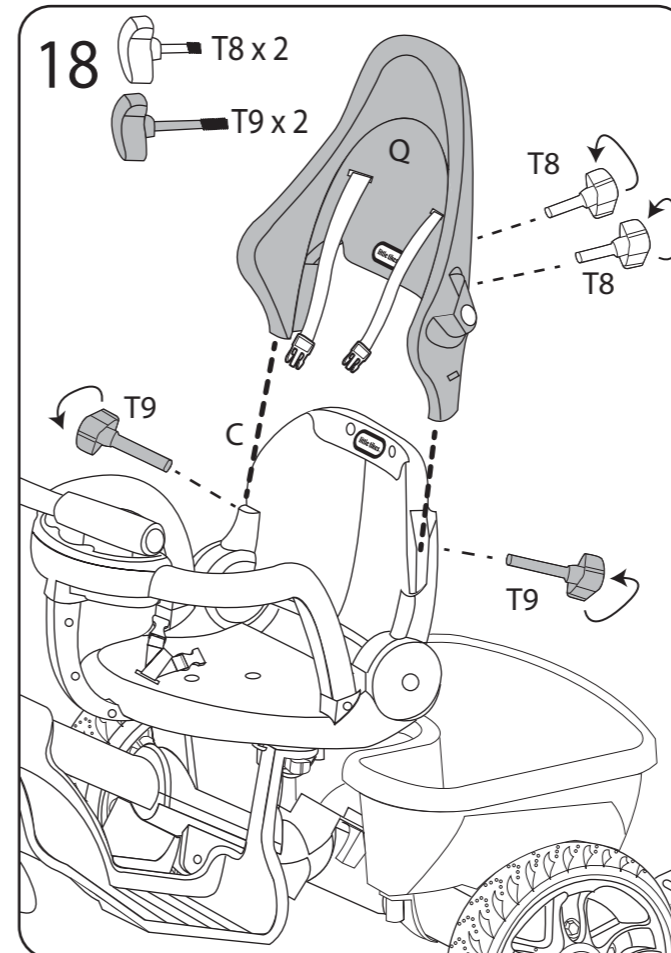
POSITION 1- STROLL



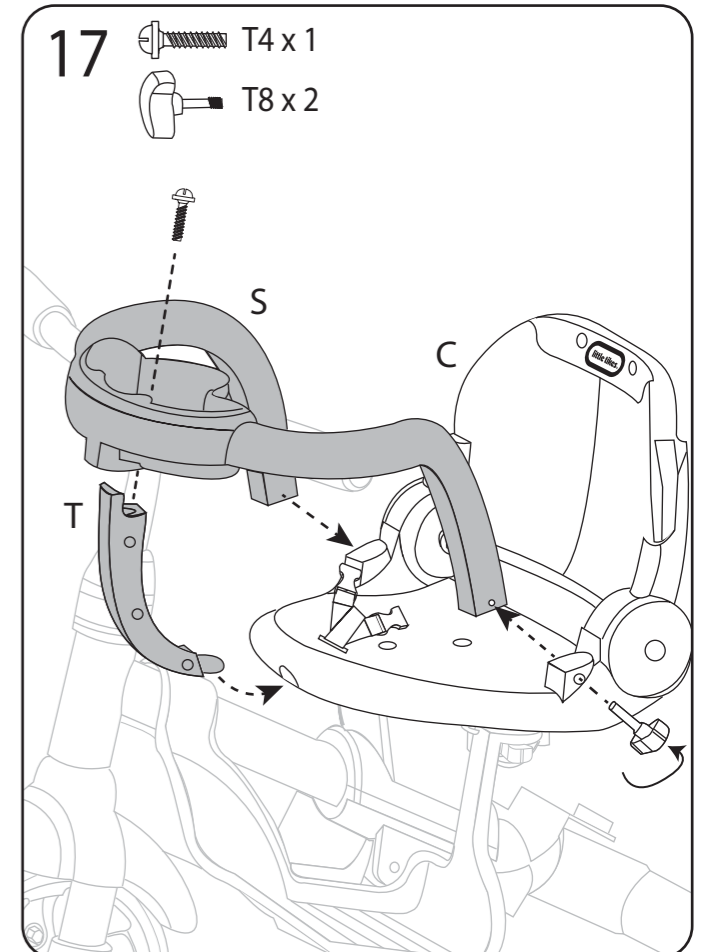
Push in button. Then, slide to move. Rotate the front pedal if the button does not fully slide.



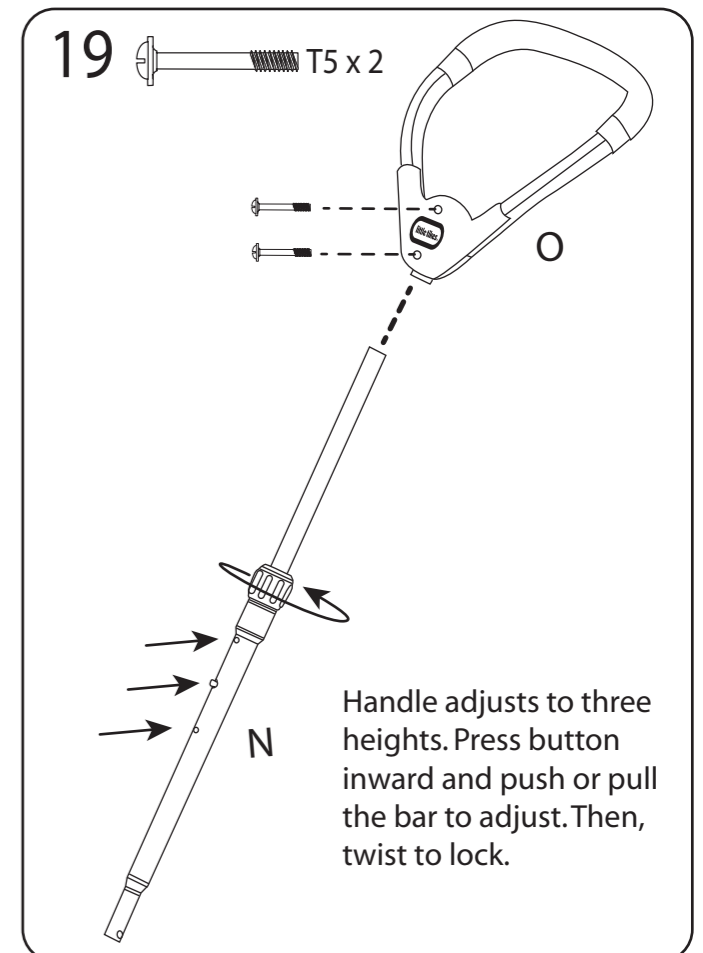
Slide seat to back of frame. Then, gently twist knobs (T8) until they are securely fastened.

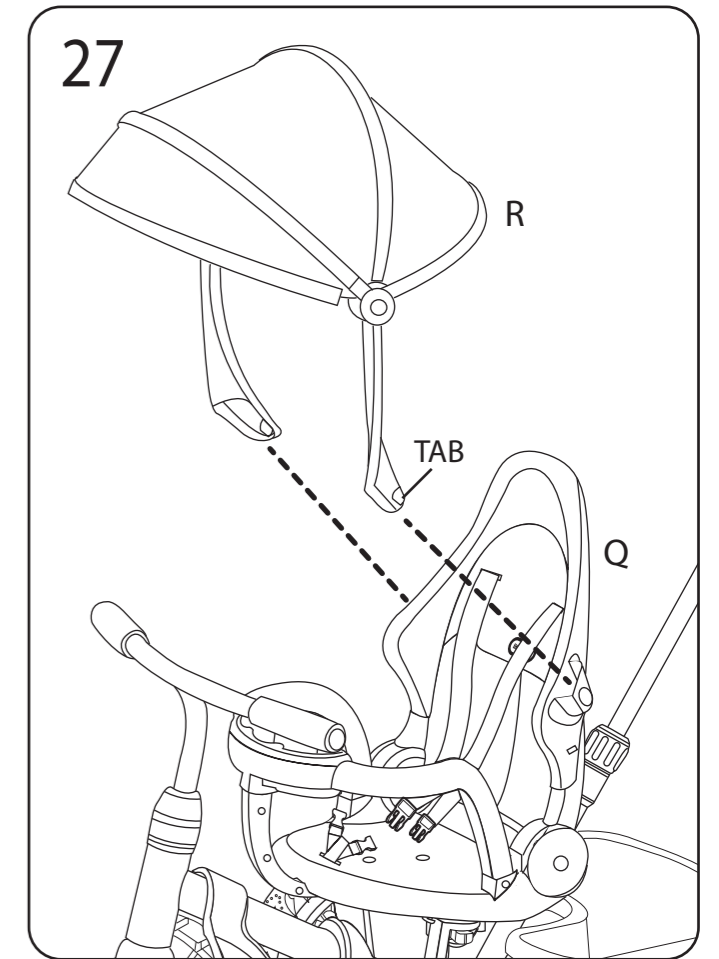
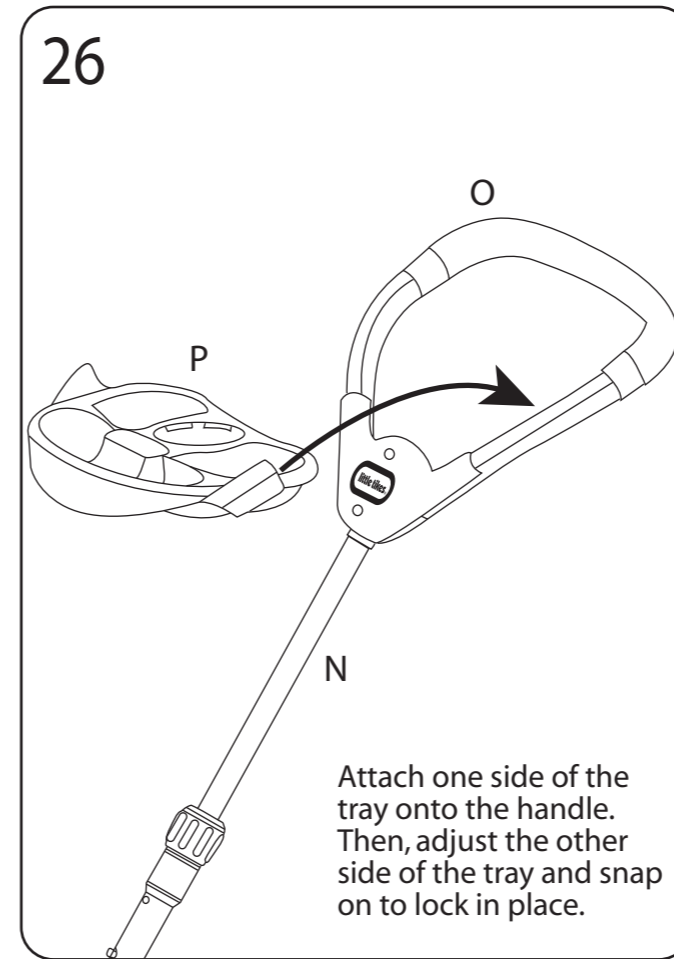
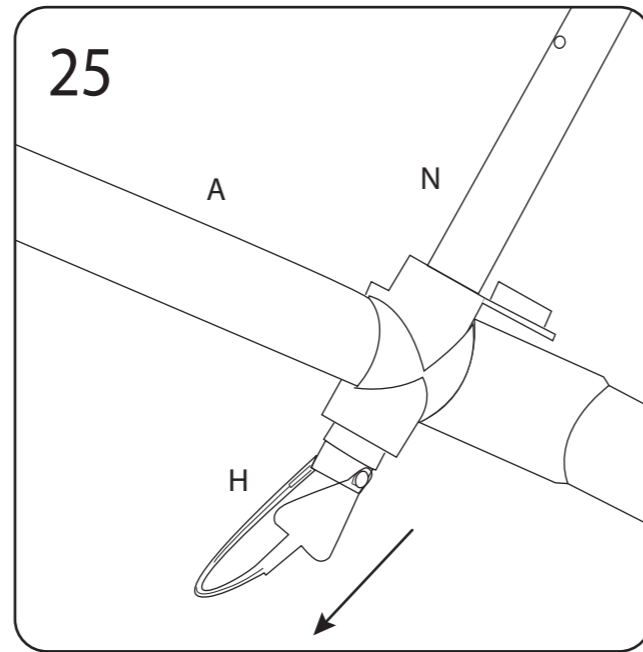
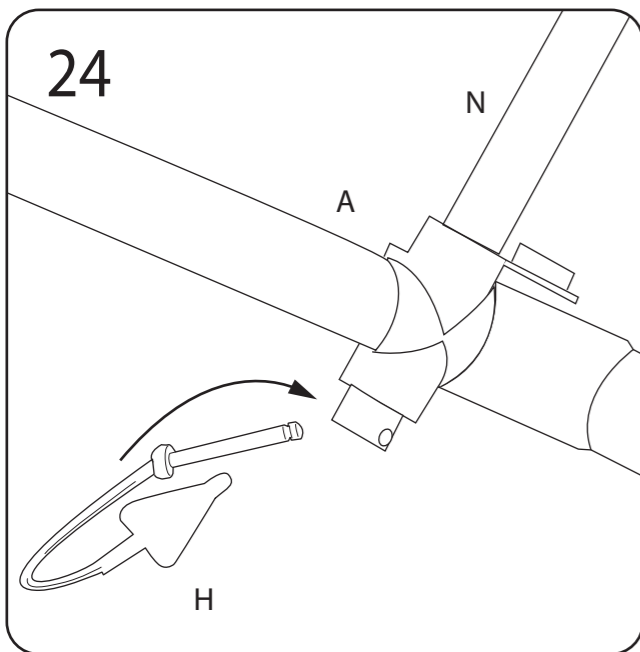
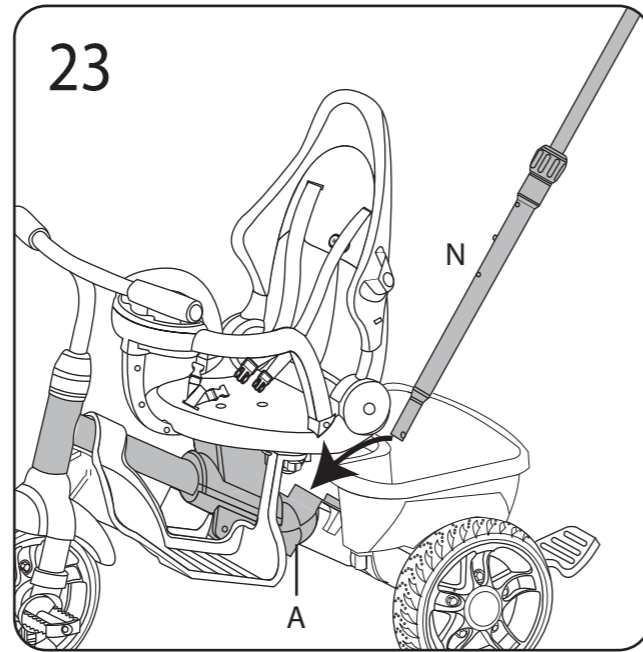
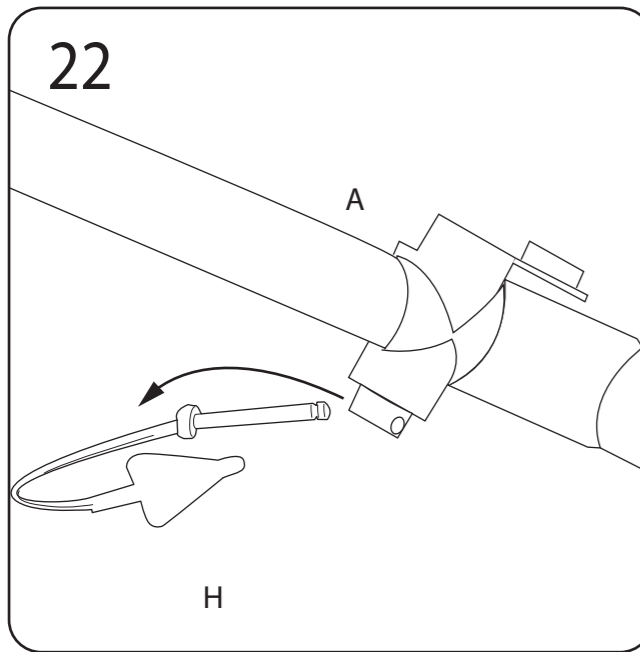
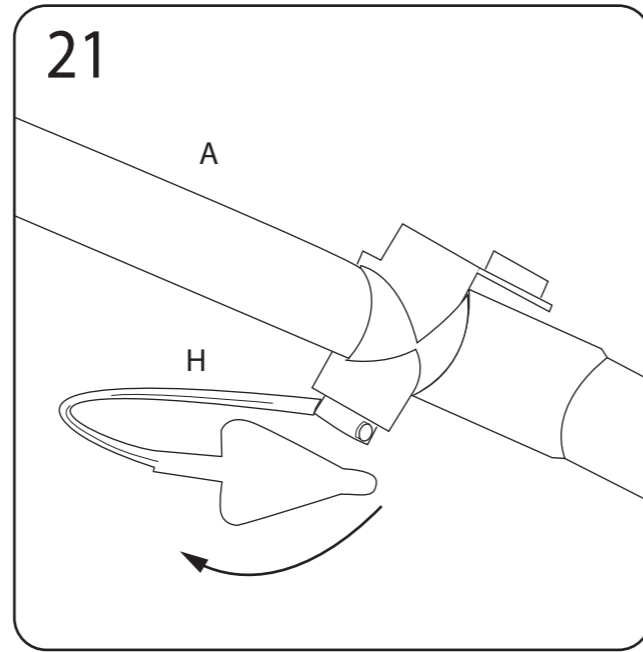
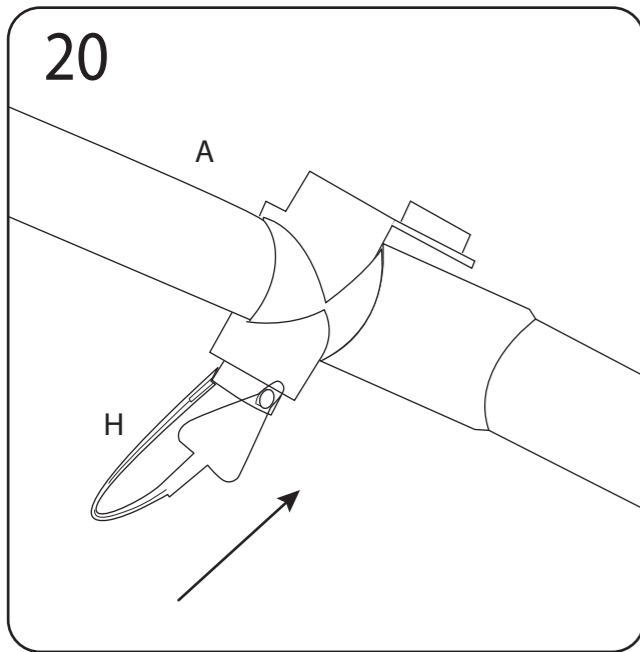


Slide the seat back (Q) onto the seat (C). Then, gently twist knobs (T8, T9) until they are securely fastened.

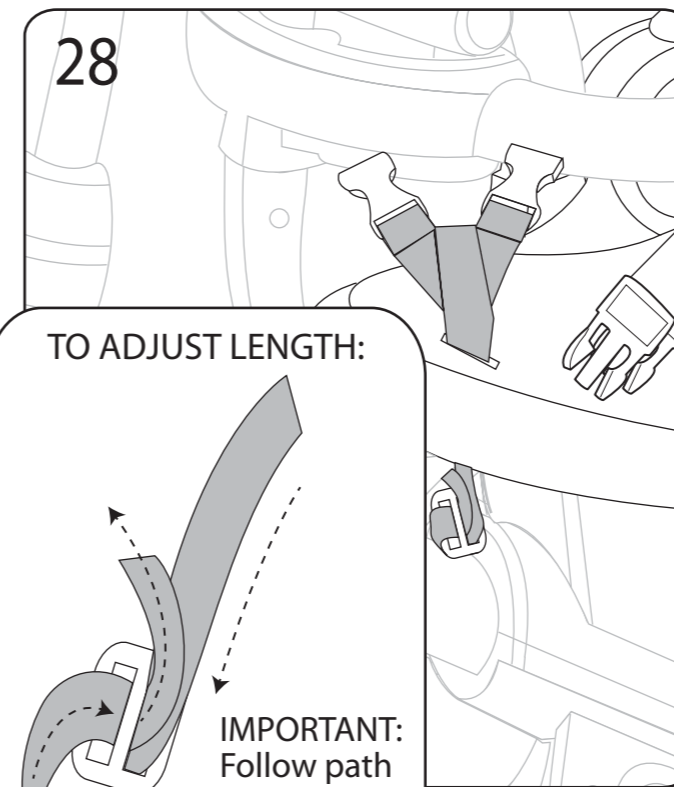


Gently twist knobs (T8) until they are securely fastened.





Press in tabs before inserting the canopy into the openings on the seat.



To adjust the center seat belt length, follow the path shown above. Pull seat belt tail through the clip until it is tight and secure.

