



1 1/2-5
years

Cozy Coupe®

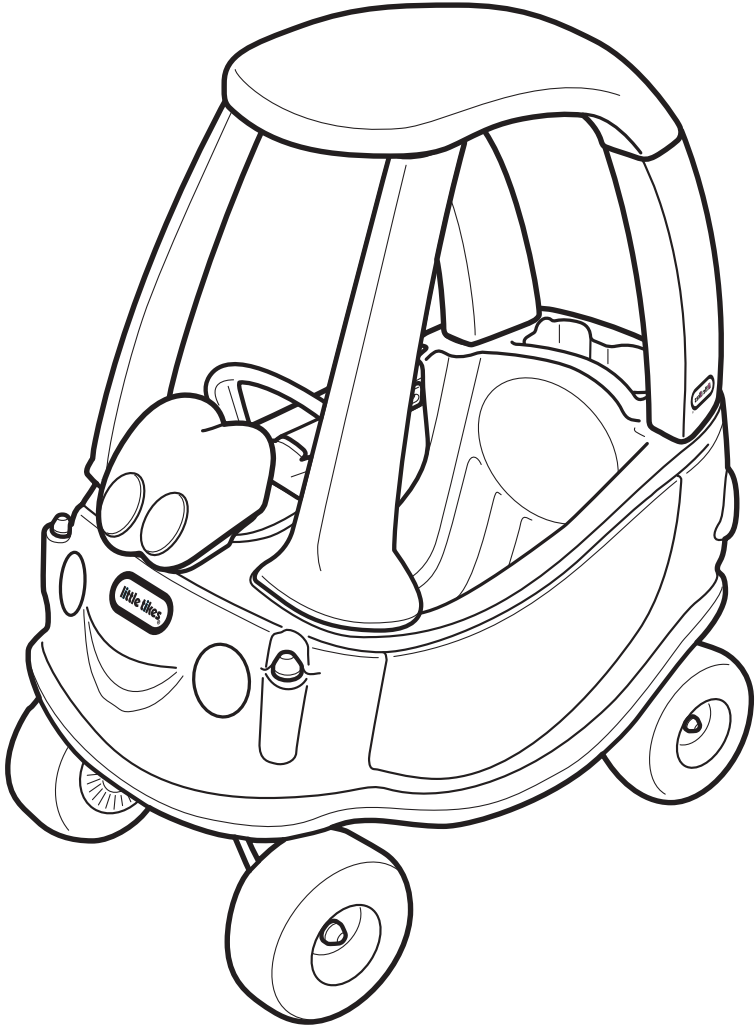
ASSEMBLY INSTRUCTIONS

#173059M	#486180	#615795M	#630750MX1	#641961M
#173059MX1	#612060M	#621390M	#630750MP	#641961MX1
#484513	#612060MX1	#627286M	#641954M	#644948M
#485367	#614798P	#630750M8X1	#641954MX1	

Adult assembly required. Approx. assembly time: 50 min.



You **Tube**



Thank you for choosing the Little Tikes[®] Cozy Coupe[®]. We strive to provide a durable, easy-to-assemble toy that's made to last, giving your child years of imaginative, engaging fun!

Really important information you should know!

- Read through all the instructions first.
- Clear a flat surface to lay out all the materials so everything is close at hand.
- You will need a Phillips head screwdriver (power driver, recommended, not included) hammer and safety glasses (not included) to assemble the Cozy Coupe[®].
 - When installing screws, be sure screws are tightened snugly, but do NOT OVERTIGHTEN.
- Be sure to locate your decals and set aside. Decals are easier to apply when the part is laying flat, so you may want to apply the decals before assembly.
- The parts are listed below - each part is identified with a letter in RED for easy reference.
- Illustrations are for reference only. Styles may vary from actual contents.
- **If you have any questions, we're here to help. Give our customer service team a call at 1-800- 321-0183.**

WARNINGS!

- **Adult Assembly Required**
- Keep these instructions for future reference.
- Prior to assembly, this package contains small parts: hardware which is a choking hazard and may contain sharp edges and sharp points. Keep away from children until assembled.
- Ride-on toys should not be used near swimming pools, on or near steps, hills, roadways, or inclines.
- Shoes must be worn at all times.
- Only one rider at a time.
- Maximum weight limit: 50 lbs. (23 Kg)
- This product is intended for use by children ages over 1 1/2 - 5 years.
- Adult supervision required. Do not leave children unattended.
- This product is intended for outdoor domestic family use only.
- Protect your eyes. Always wear safety glasses when using a hammer.
- When temperatures fall below 0°F/-18°C, outdoor use of this product is not recommended. In extreme cold, plastic materials lose resilience and may become brittle and crack upon impact. Store product in a warmer, protected place.

DISPOSAL

Disassemble and dispose of equipment in such a manner that no hazardous conditions such as, but not limited to, small parts and sharp edges exist at the time equipment is discarded.

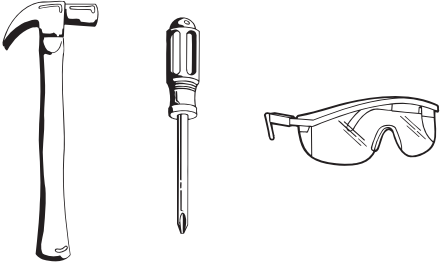
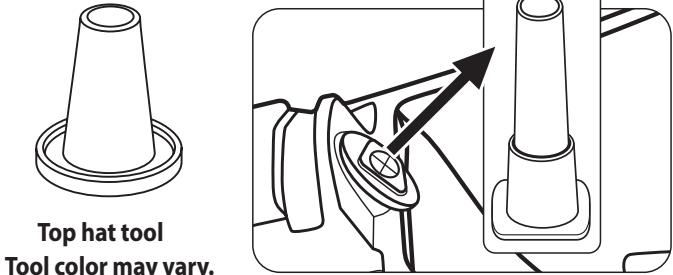
A Few Things Before You Start!

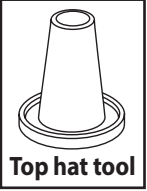
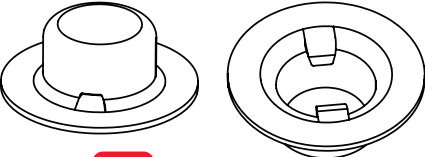
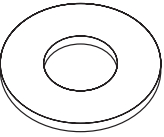
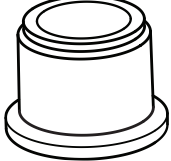
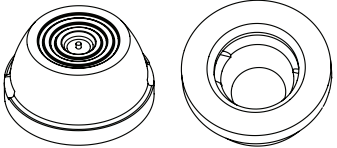
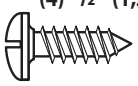
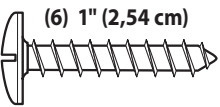
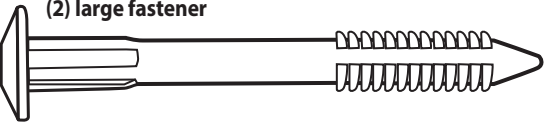
BEFORE you begin assembly, make sure you have all the parts listed below.

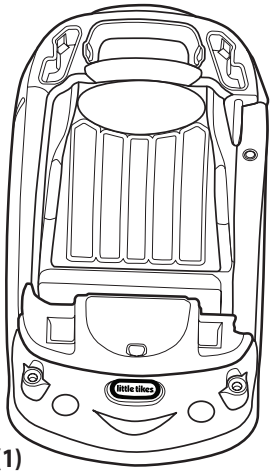
! Some packages of hardware may have extras pieces.

! Questions? We're here to help.

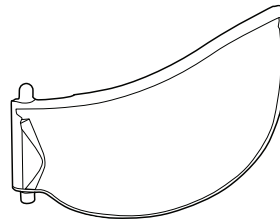
Little Tikes customer service team at 1-800- 321-0183.

<p>Tools required (not included)</p> 	<p>Included in hardware pack (1). Discard after use.</p>  <p>Top hat tool Tool color may vary.</p> <p>Remove and set aside. You will need for assembly.</p>
---	--

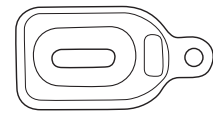
Hardware Guide		
 <p>Top hat tool</p>  <p>AA Top hat (4)</p>	 <p>BB Washer (6)</p>  <p>CC Bushing (4)</p>	 <p>DD Axle Cap (2)</p>
Shown actual size		
 <p>(4) 1/2" (1,27 cm)</p>	 <p>(6) 1" (2,54 cm)</p>	 <p>(2) large fastener</p>



A Body (1)

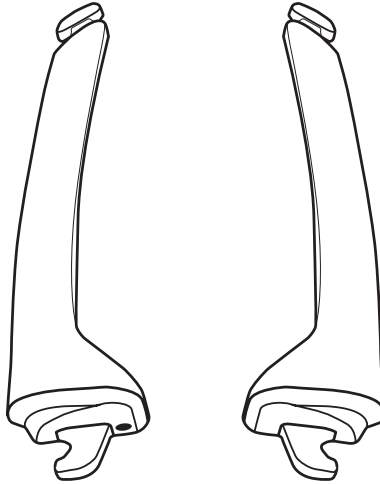


B Door (1)



C Door latch (1)

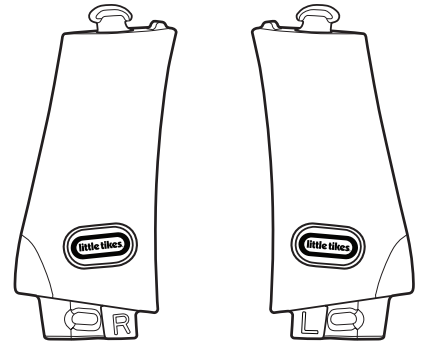
Roof Pillars - FRONT



E1 Roof pillars - front right (1)

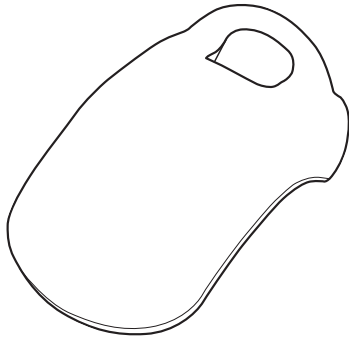
E2 Roof pillars - front left (1)

Roof Pillars - REAR

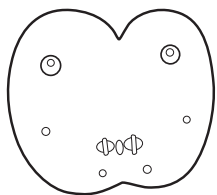


F1 Roof pillars - rear right (1)

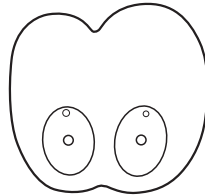
F2 Roof pillars - rear left (1)



D Roof (1)



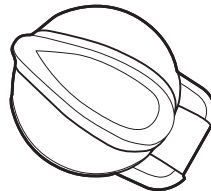
G1 Eye base (1)



G2 Eye front (1)



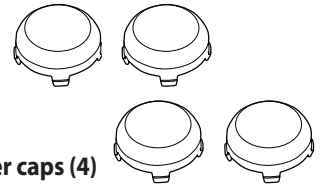
G3 Eyes (2)



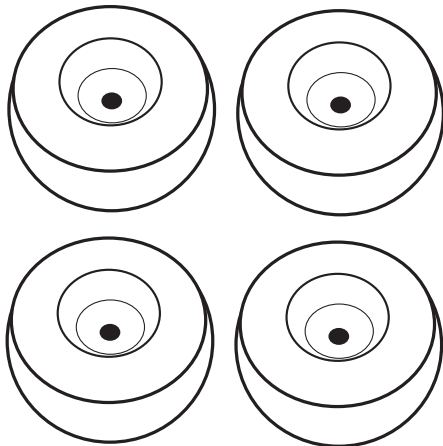
H Gas cap (1)



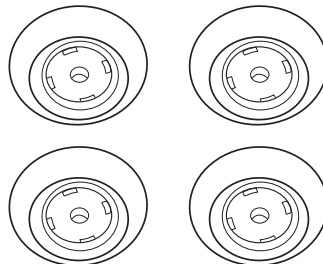
I Rear axle (1)



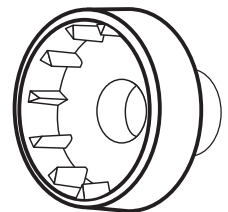
J Center caps (4)



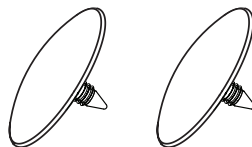
K Wheels (4)



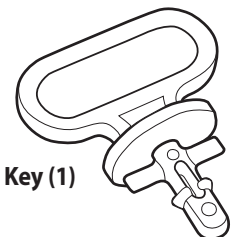
M Hubcaps (4)



O1 Ignition Base (1)

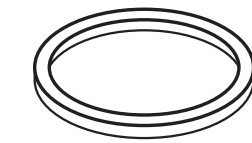
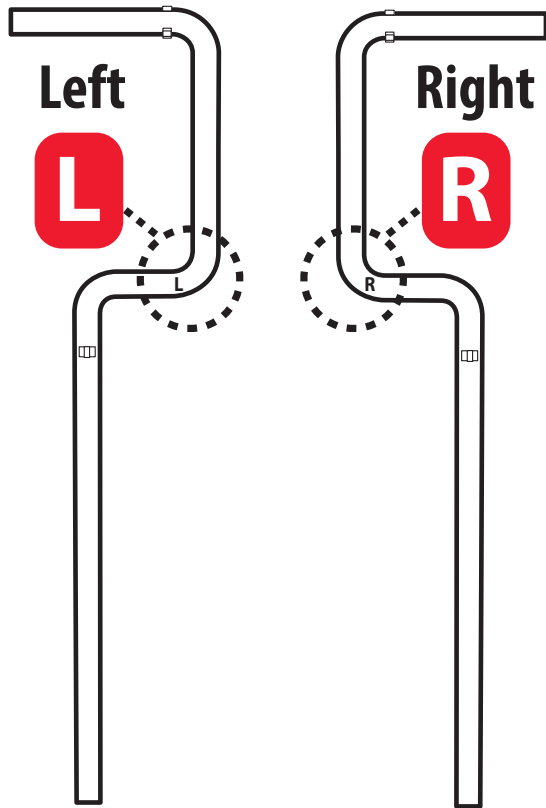


N Tail Lights (2)

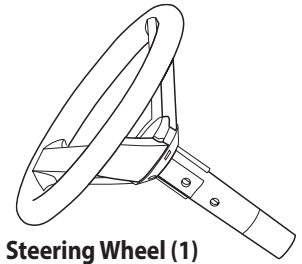


O2 Key (1)

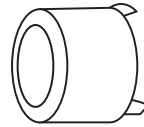
Front Wheel Axles



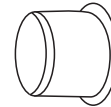
P Steering O ring (1)



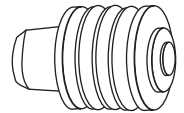
Q Steering Wheel (1)



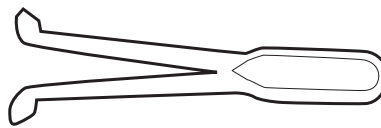
S3 Horn collar (1)



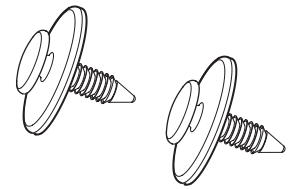
S2 Horn button (1)



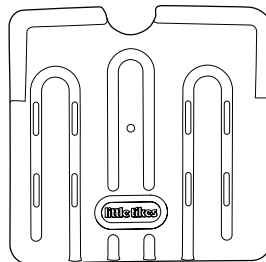
S1 Horn bellows (1)



T Steering clip (1)



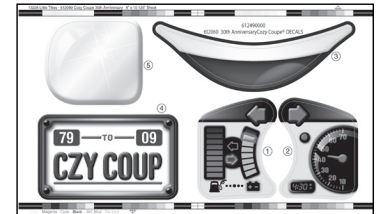
V Floorboard buttons (2)



U Floorboard (1)



(1) Decal sheet is located in the hardware pack.



© The Little Tikes Company, an MGA Entertainment company. LITTLETIKES® is a trademark of Little Tikes in the U.S. and other countries. All logos, names, characters, likenesses, images, slogans, and packaging appearance are the property of Little Tikes. Please keep this address and packaging for reference since it contains important information. Contents, including specifications and colors, may vary from photos depicted on package. Instructions included. Please remove all packaging including tags, ties & tacking stitches before giving this product to a child.

CUSTOMER SERVICE:

United States:
www.littletikes.com
 1-800-321-0183 Monday - Friday
 The Little Tikes Company
 2180 Barlow Road, Hudson, OH 44236

United Kingdom:
www.littletikes.co.uk
 MGA Consumer Services
 P.O. Box 2040 Hockley, Essex, SS5 4BF
 Phone: 0 800 521 558
 E-mail: support@Littletikesstore.co.uk

Australia
www.littletikes.com.au
 Phone: 1 300 059 676
 Email: au-sales@mgaee.com



Printed in India. D.R.©2021 The Little Tikes Company

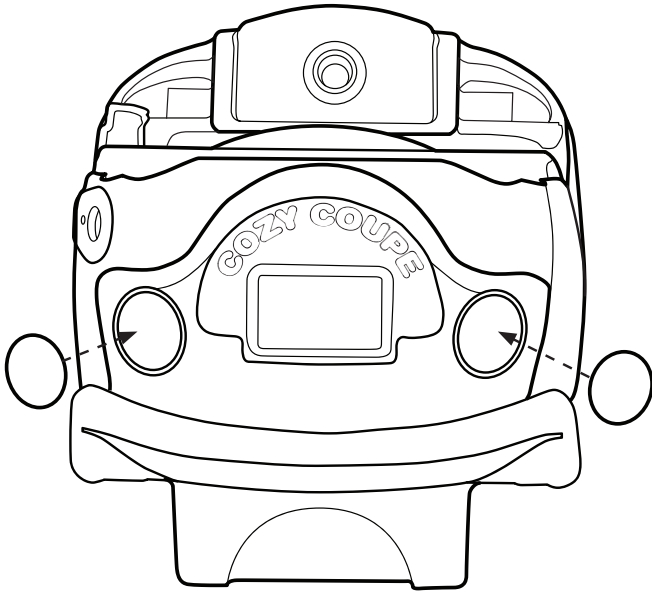
LIMITED WARRANTY

The Little Tikes Company makes fun, high quality toys. We warrant to the original purchaser that this product is free of defects in materials or workmanship for one year * from the date of purchase (dated sales receipt is required for proof of purchase). At the sole election of The Little Tikes Company, the only remedies available under this warranty will be the replacement of the defective part or replacement of the product. This warranty is valid only if the product has been assembled and maintained per the instructions. This warranty does not cover abuse, accident, cosmetic issues such as fading or scratches from normal wear, or any other cause not arising from defects in material and workmanship. *The warranty period is three (3) months for daycare or commercial purchasers.

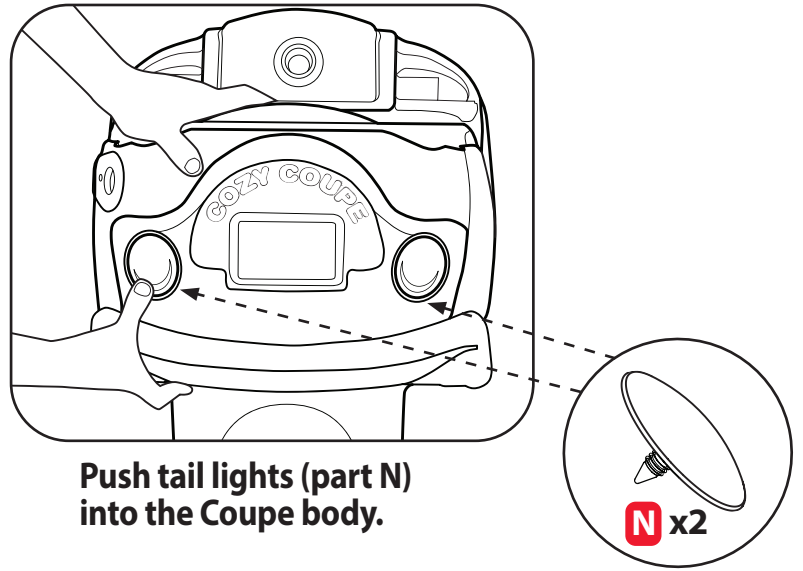
U.S.A and Canada: For warranty service or replacement part information, please visit our website at www.littletikes.com, call 1-800-321-0183 or write to: Consumer Service, The Little Tikes Company, 2180 Barlow Road, Hudson OH 44236, U.S.A. Some replacement parts may be available for purchase after warranty expires—contact us for details.

Outside U.S.A and Canada: Contact place of purchase for warranty service. This warranty gives you specific legal rights, and you may also have other rights, which vary from country/state to country/state. Some countries/states do not allow the exclusion or limitation of incidental or consequential damages, so the above limitation or exclusion may not apply to you.

1 Ready...let's get started...with the tail lights!

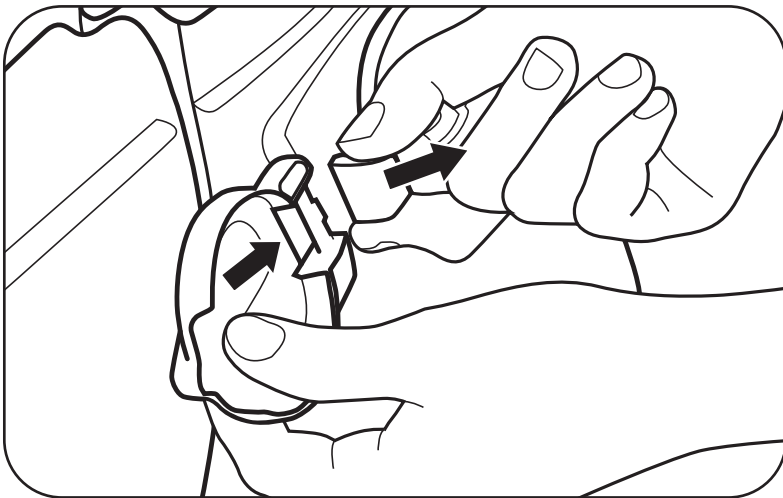


Insert (2) tail lights (part N).

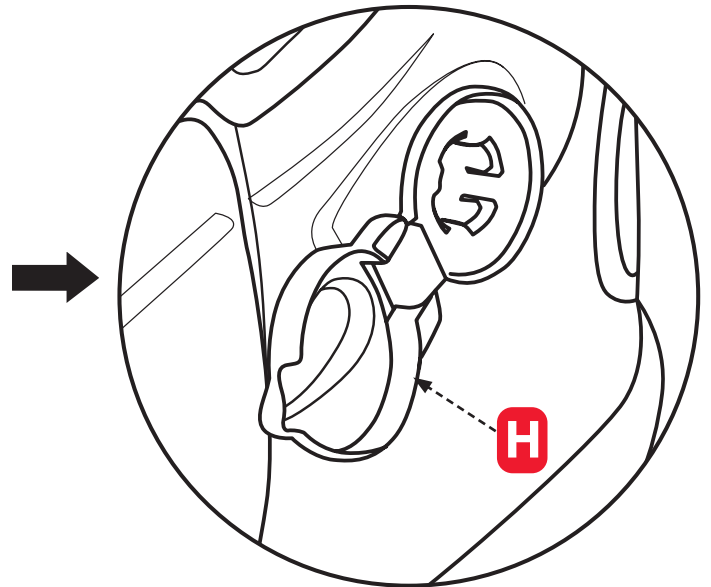


Push tail lights (part N) into the Coupe body.

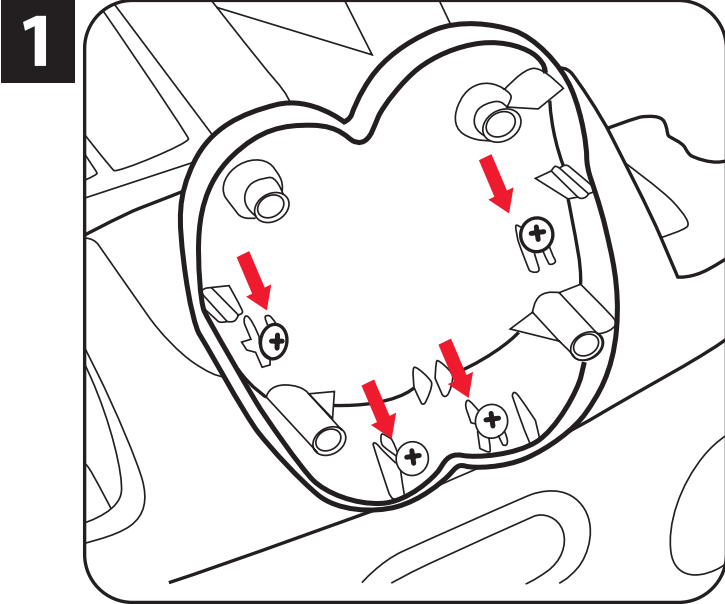
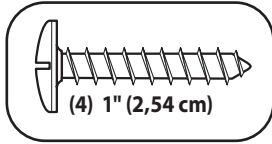
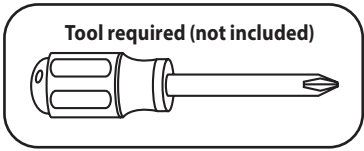
2 Cap it!



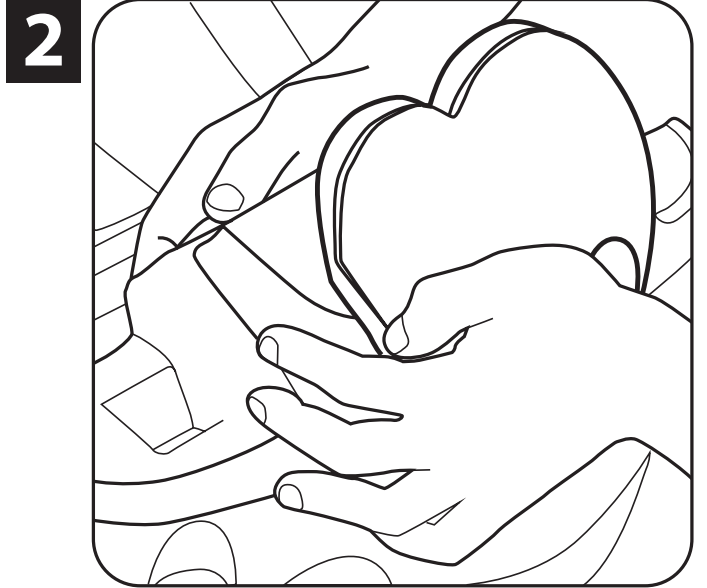
Insert gas cap (part H).



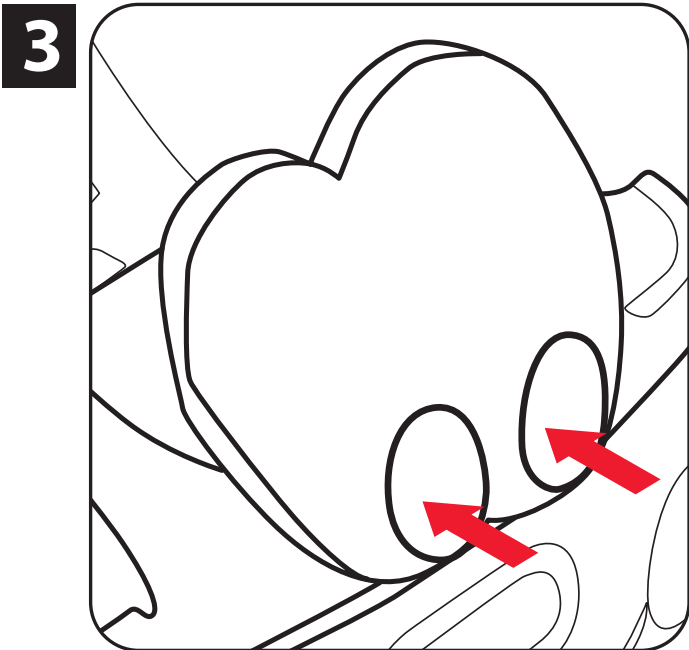
3 Have to see where I'm going!



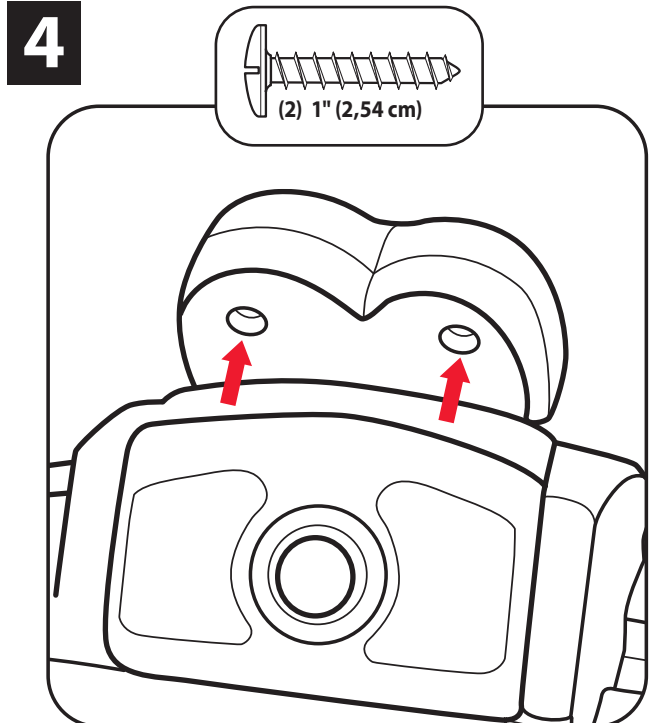
Secure Eye base (part G1) using (4) 1" (2,54cm) screws.



Snap on Eye front (part G2).

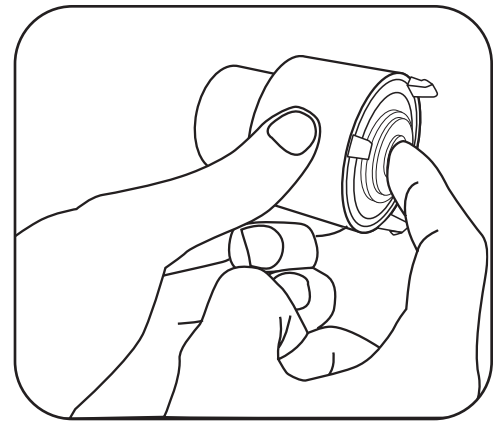
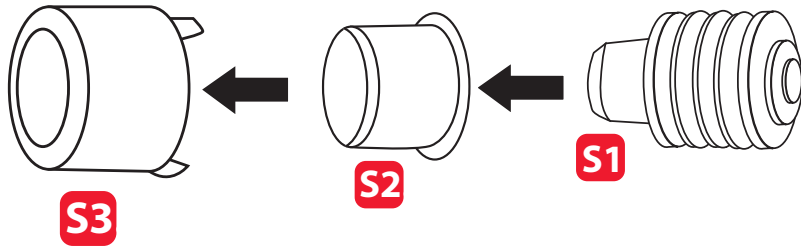


Snap on Eyes (part G3).

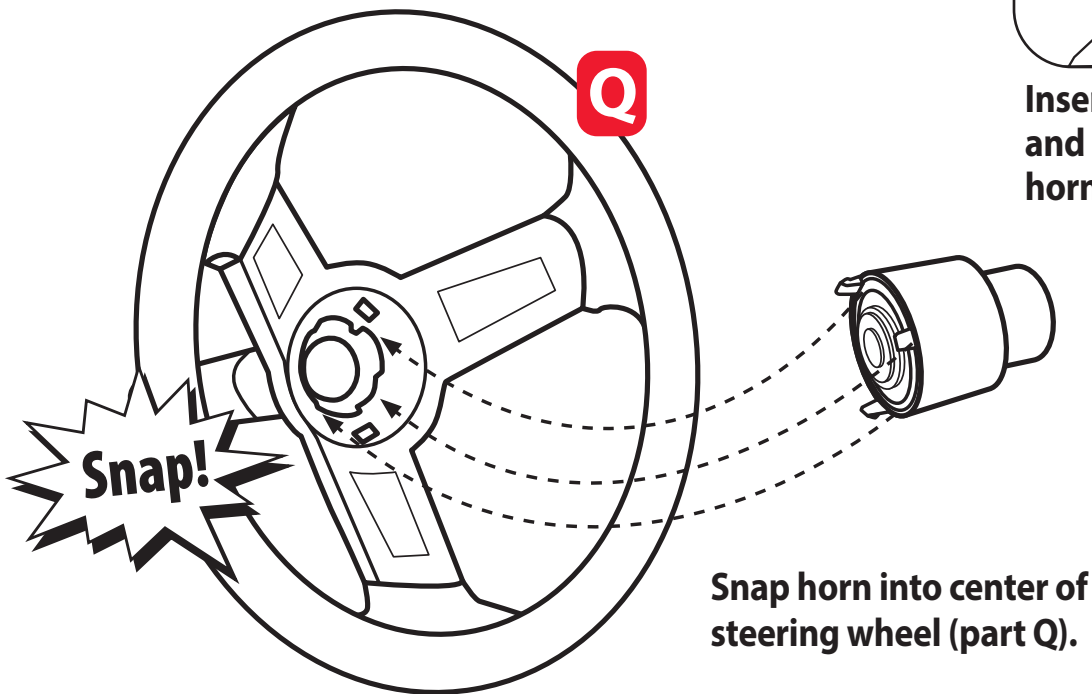


Secure using (2) 1" (2,54cm) screws.

4 Let's get the horn working



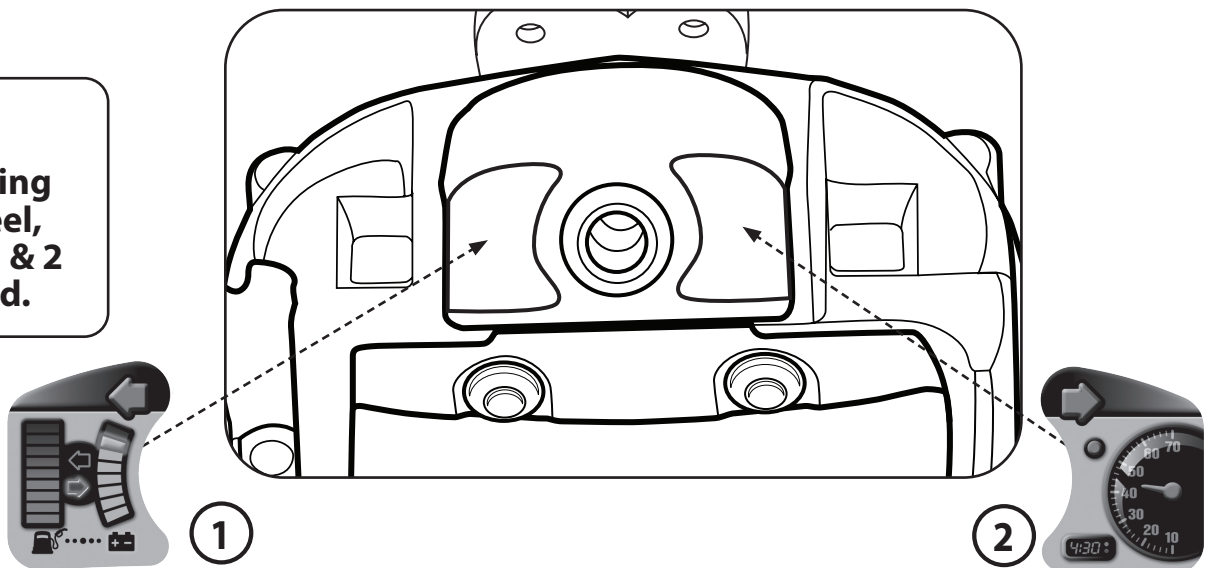
Insert horn button (part S2) and bellows (part S1) into horn collar (part S3).



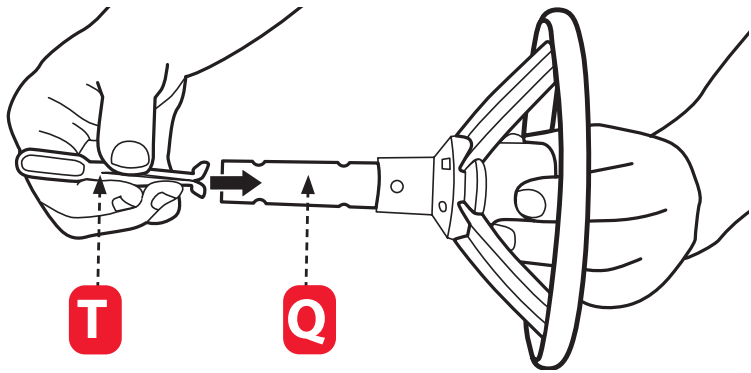
Snap horn into center of steering wheel (part Q).



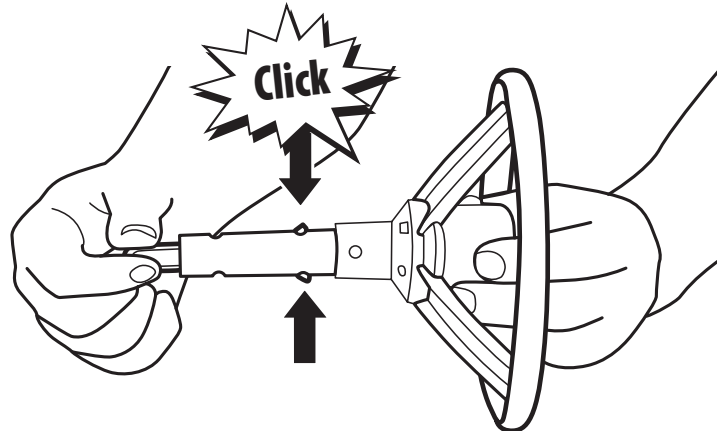
Before installing steering wheel, apply decals 1 & 2 to dashboard.



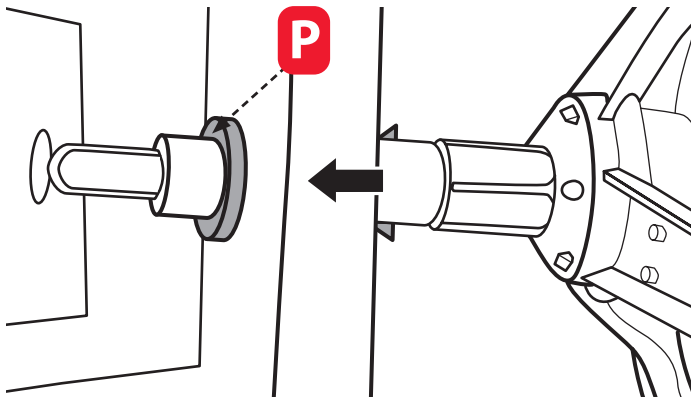
5 Steering wheel...in a Click!



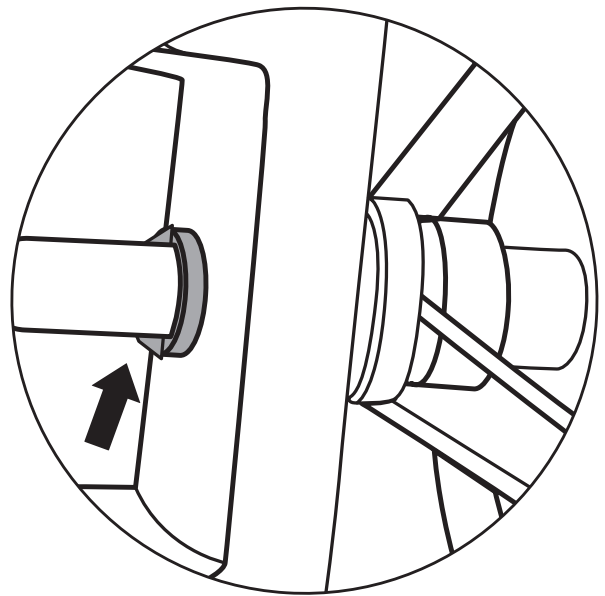
1 Squeeze steering clip (part T) into steering wheel (part Q).



2 Steering clip should snap into MIDDLE hole on each side of the steering column.



3 Insert steering wheel through hole in dashboard AND through the steering O ring (part P).



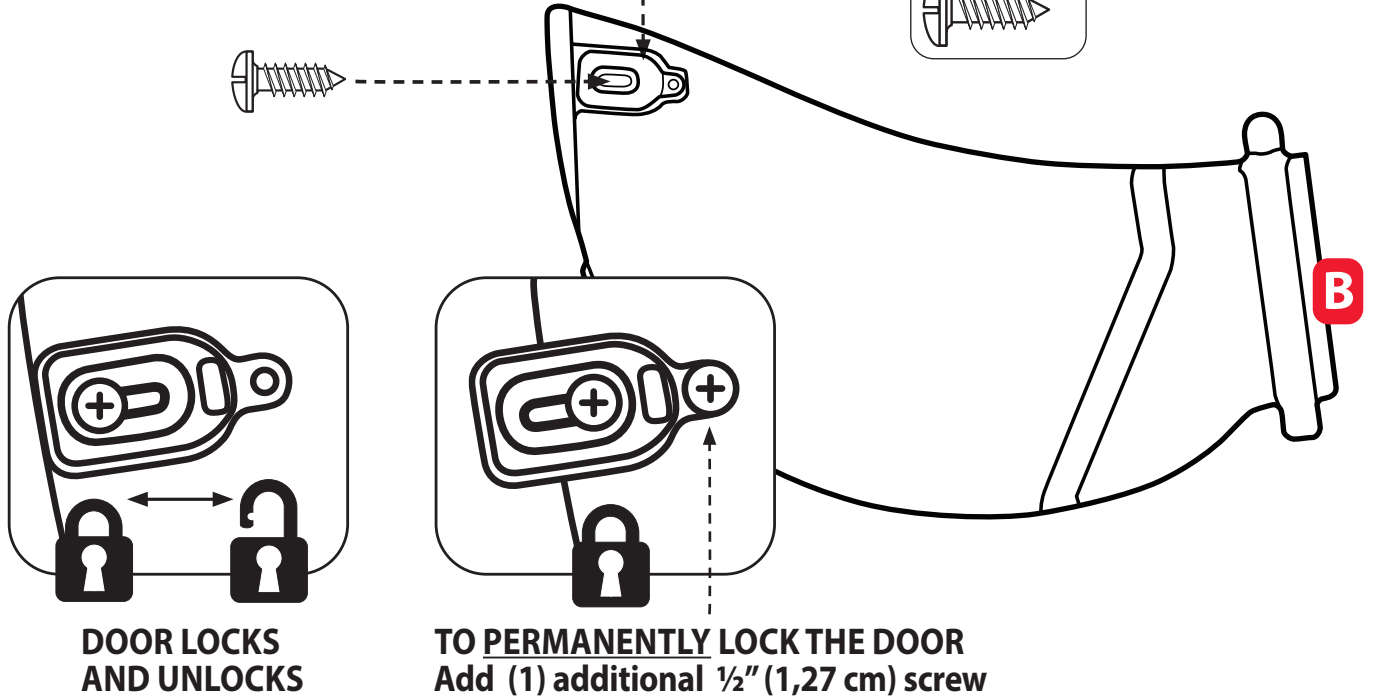
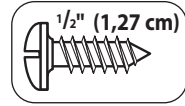
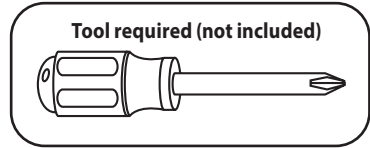
4 Make sure the steering clip snaps past the O ring.



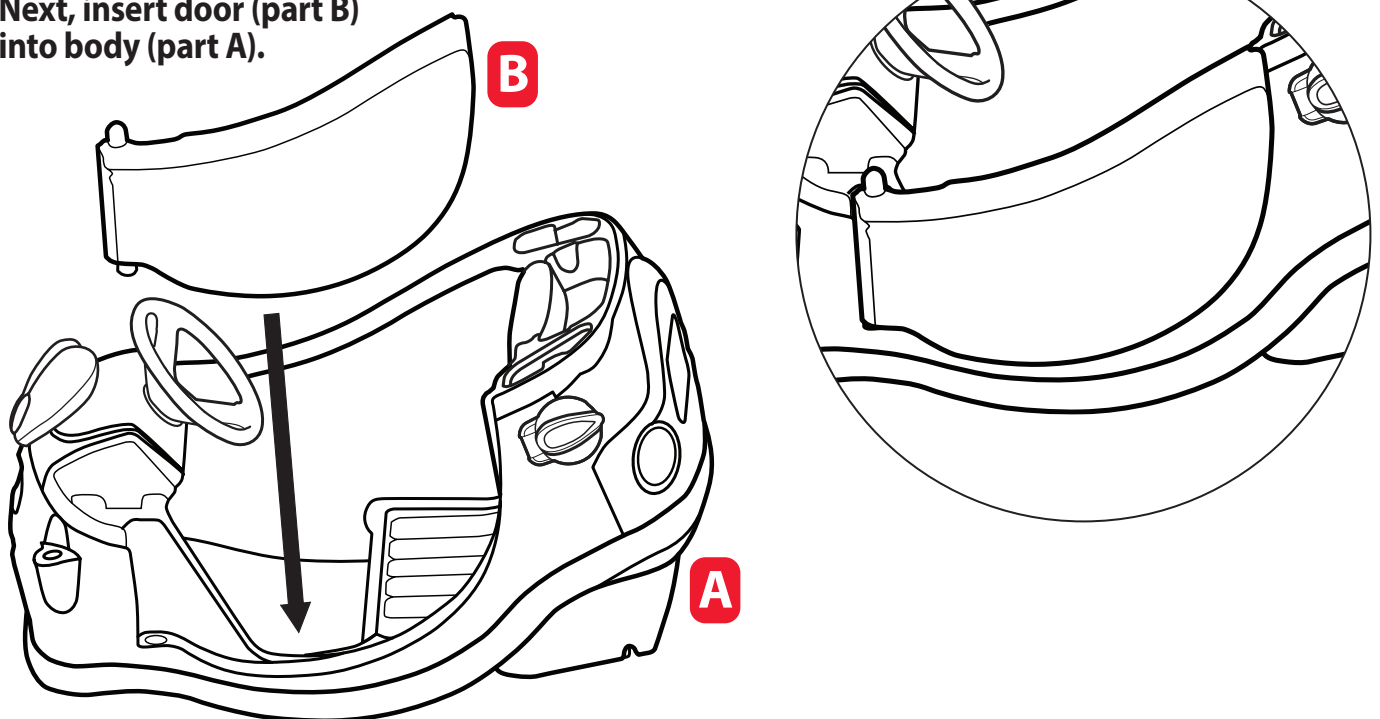
If your steering wheel is loose or not staying in place; check to be sure the steering clip has completely snapped past the O-ring.

6 Choose your lock!

First, install door latch (part C) into door (part B) Attach using (1) 1/2" (1,27 cm) screw.

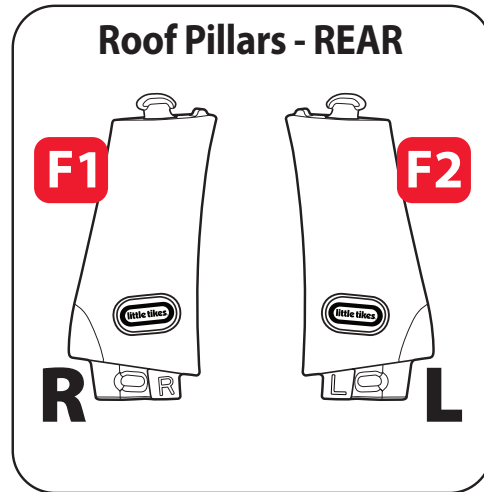
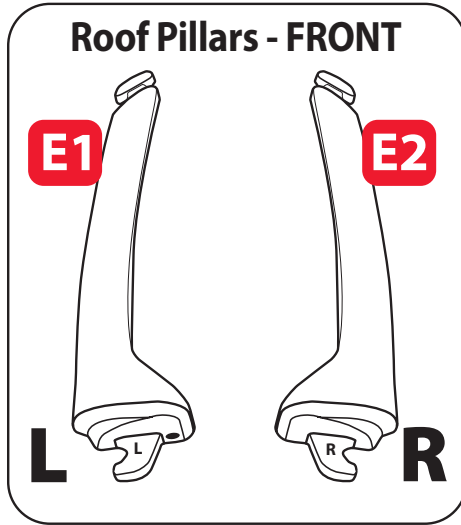
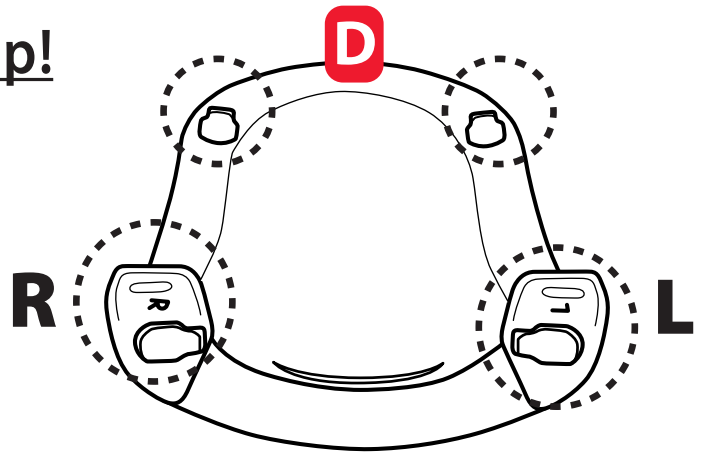


Next, insert door (part B) into body (part A).



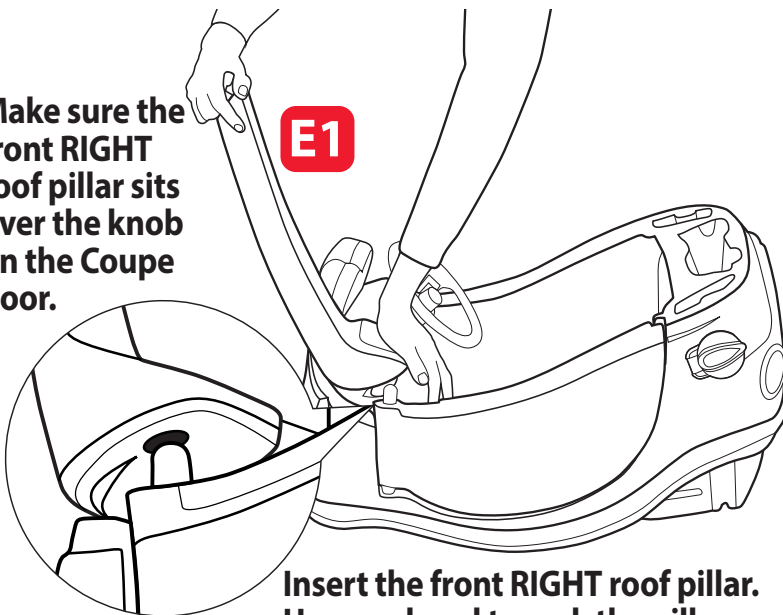
7 Roof and pillars match up!

 **BEFORE YOU START:** match roof pillars marked "L & R" to the correct side of roof also marked "L & R".

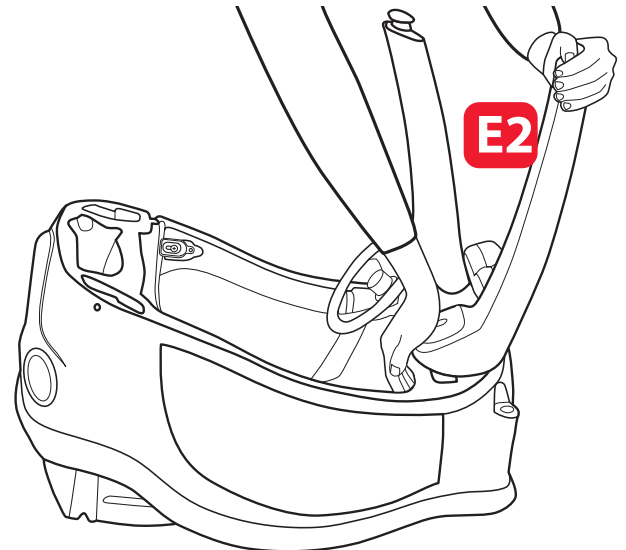


7a FRONT pillars...Lock the door in place!

Make sure the front **RIGHT** roof pillar sits over the knob on the Coupe door.



Insert the front **RIGHT** roof pillar. Use one hand to rock the pillar back and forth, while pushing down with the other hand.



Insert the front **LEFT** roof pillar. Use one hand to rock the pillar back and forth, while pushing down with the other hand.

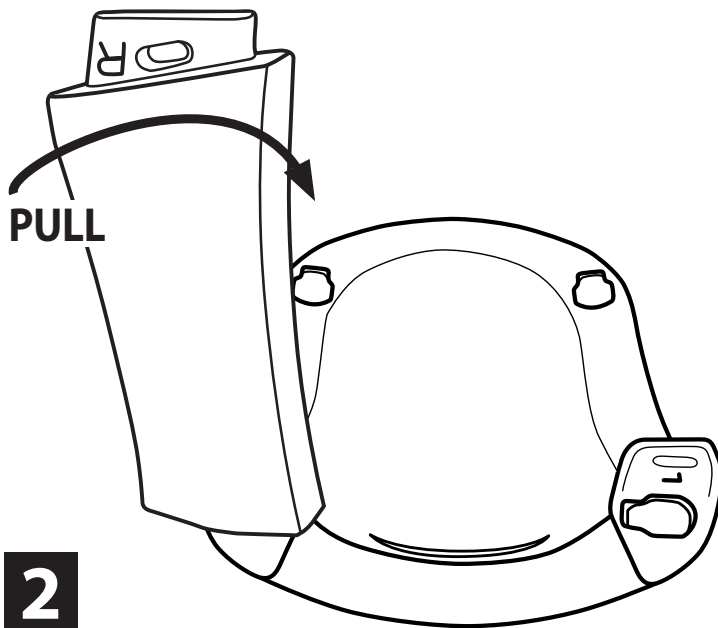
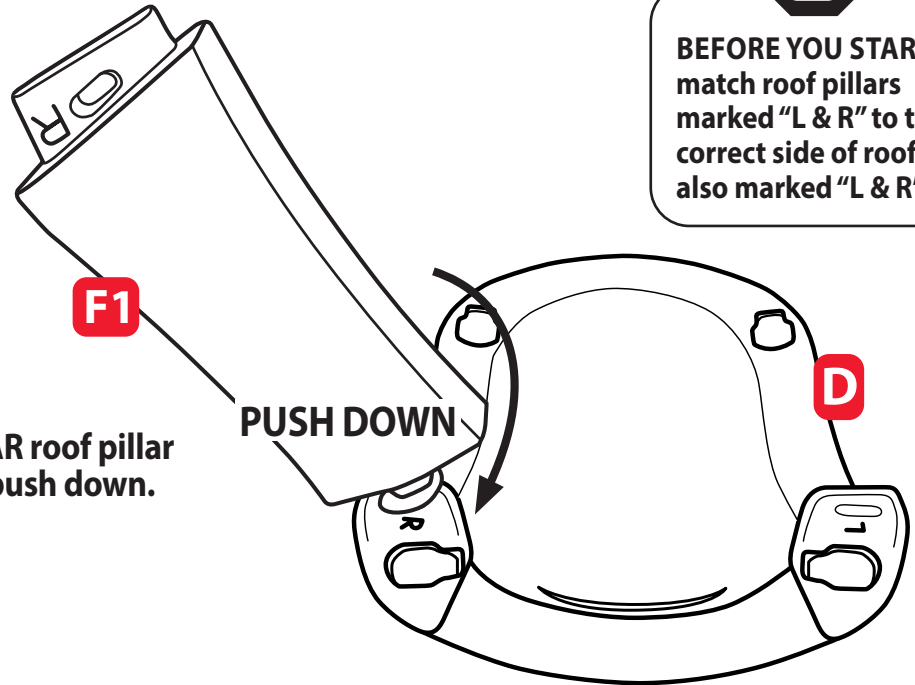
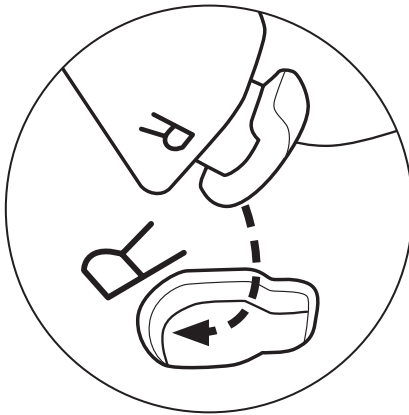
7b REAR pillars... insert, pull back, turn!



BEFORE YOU START:
match roof pillars
marked "L & R" to the
correct side of roof
also marked "L & R".

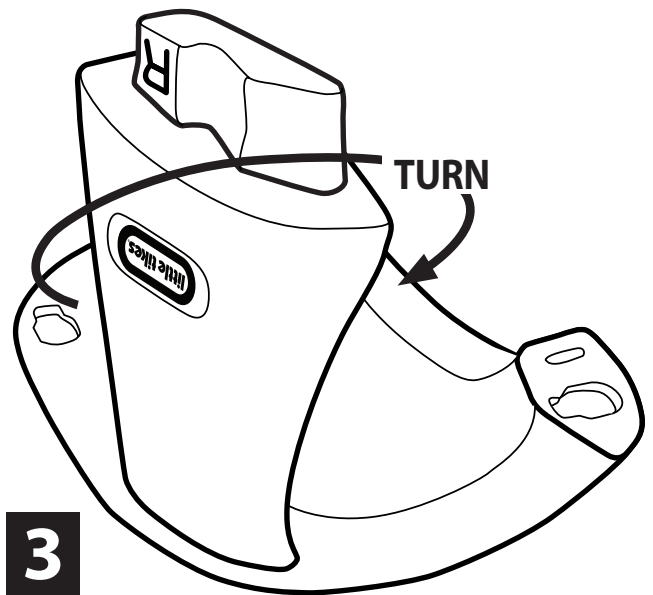
1

Hook the **ROUNDED END** of the **REAR** roof pillar (part F1) into the roof (part D) and push down.



2

Pull the **REAR** roof pillar, toward you to fully insert the pillar into the roof.



3

Turn the roof pillar around. The **Little Tikes** logo should be facing outward.

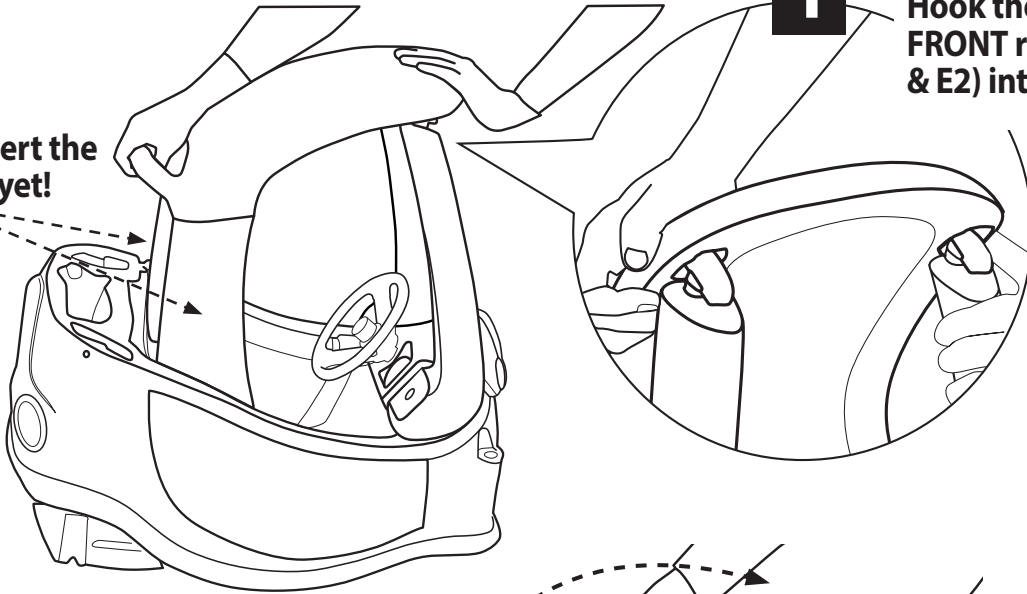


4

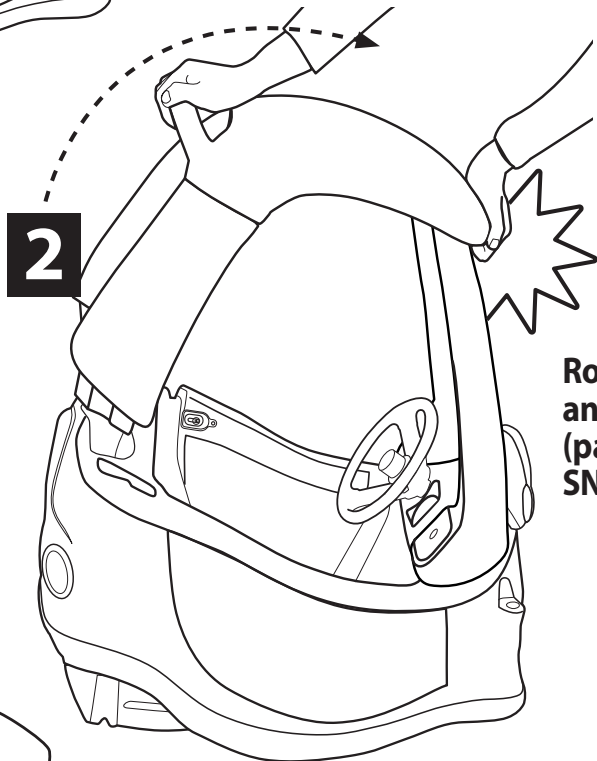
Repeat steps for the roof pillar - rear **LEFT** (part F2).

7c Lets put it all together!

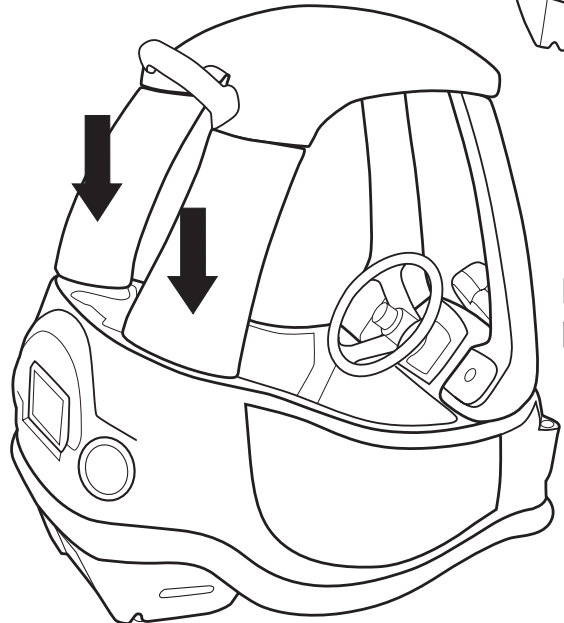
DO NOT insert the rear pillars yet!



1 Hook the **ROUNDED END** of **FRONT** roof pillars (parts E1 & E2) into roof (part D).

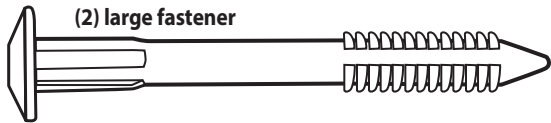


2 Rock the roof forward and the **FRONT** pillars (parts E1 & E2) will **SNAP** into place.

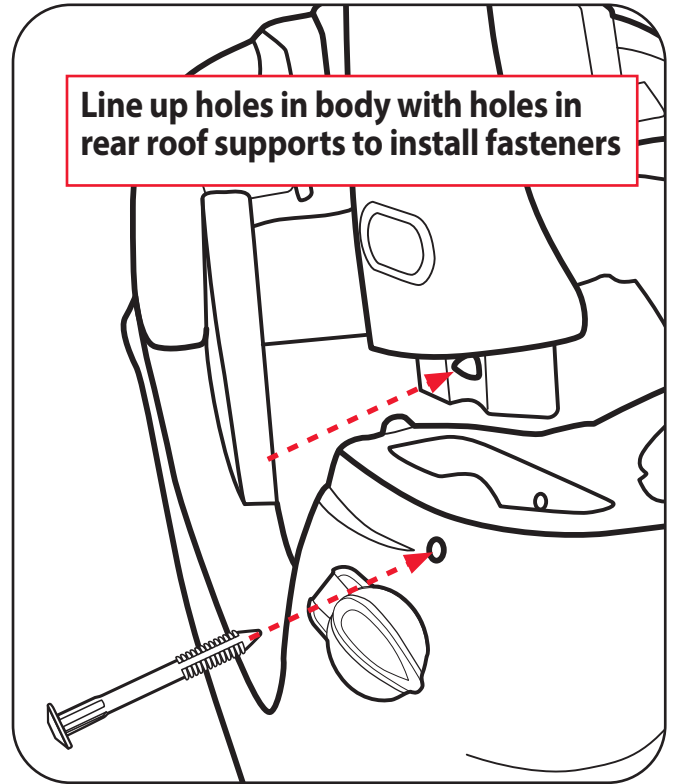
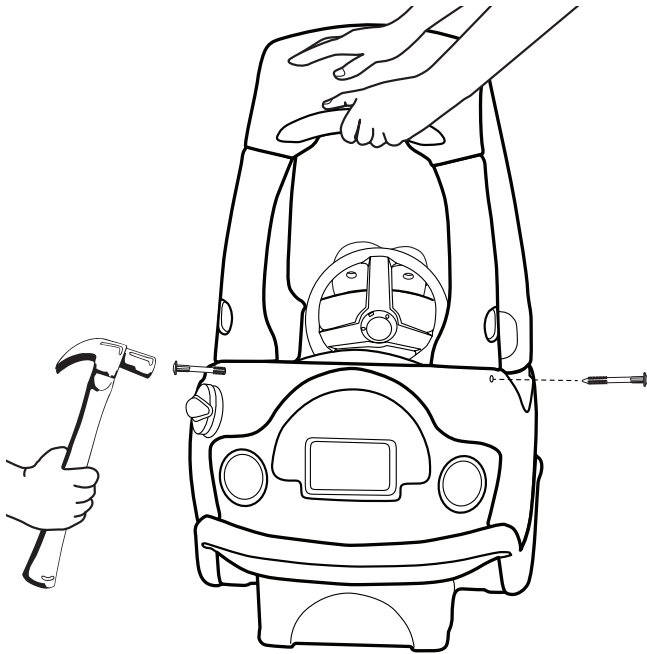


3 Push rear pillars into place. Be sure pillars are flush with body.

7d Rear pillars- get attached



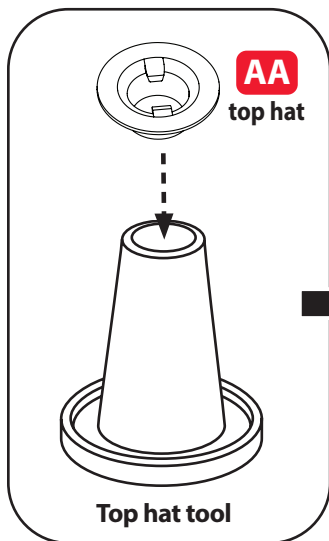
Person 1: hold down roof assembly.
Person 2: install (2) fasteners (1 each side)



8 REAR wheels...give it a good hit!

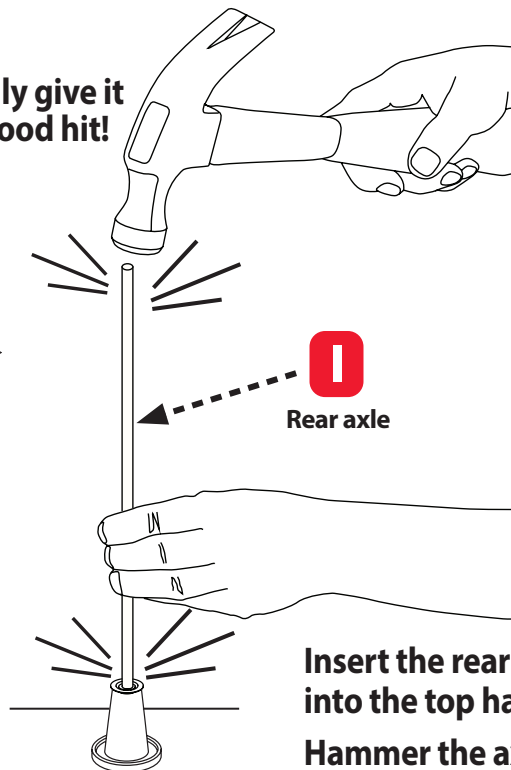


Do not hammer on surfaces or items you don't want to break, mark or dent.



Place (1) top hat (part AA) into top hat tool.

Really give it a good hit!

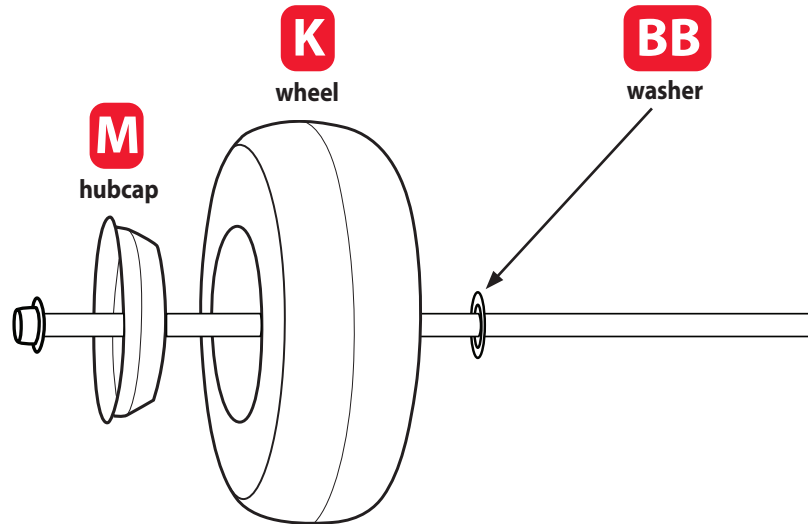


Insert the rear axle (part I) into the top hat.

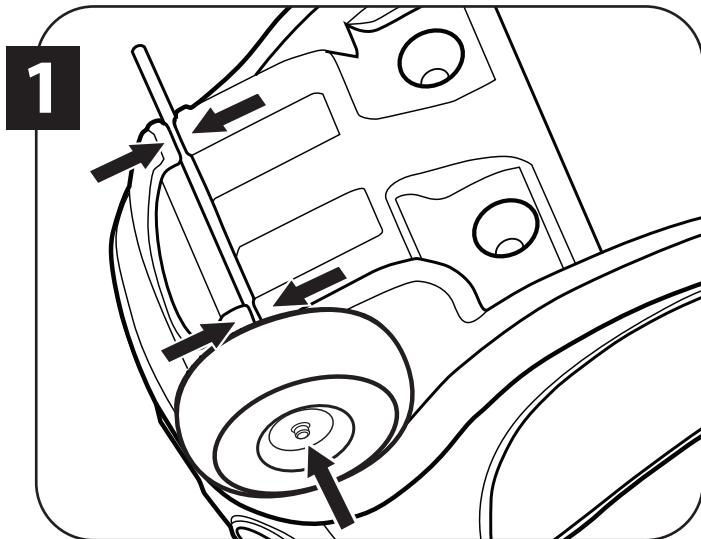
Hammer the axle into the top hat.

8a

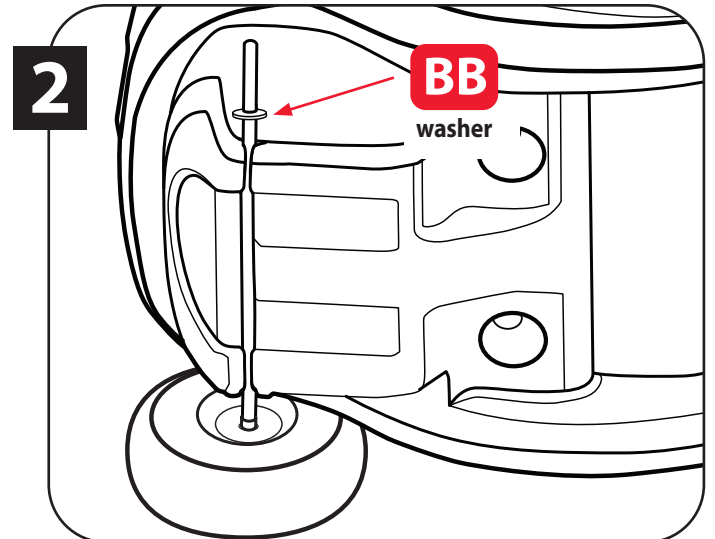
REAR wheels...get in the groove.



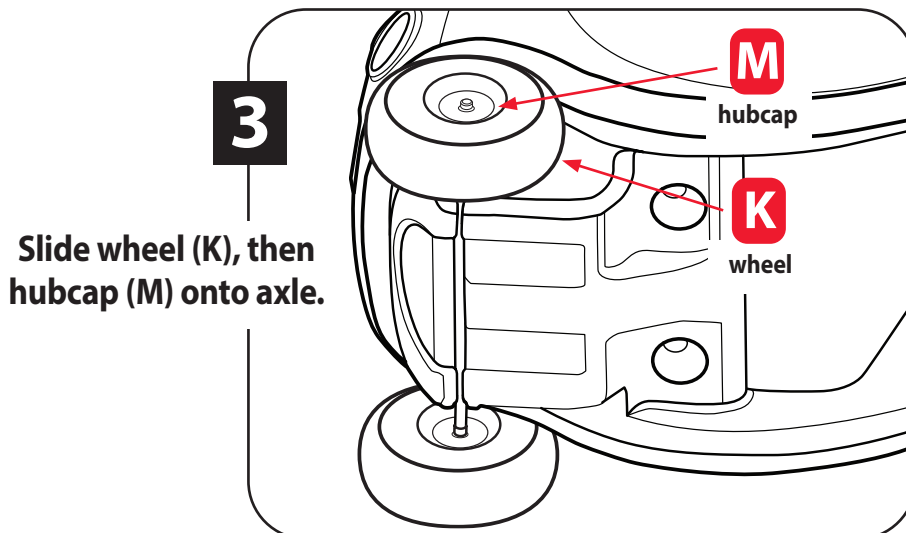
Slide onto rear axle (1) hubcap (M), (1) wheel (K), and (1) washer (BB).



Slide assembled axle through rear axle guides.

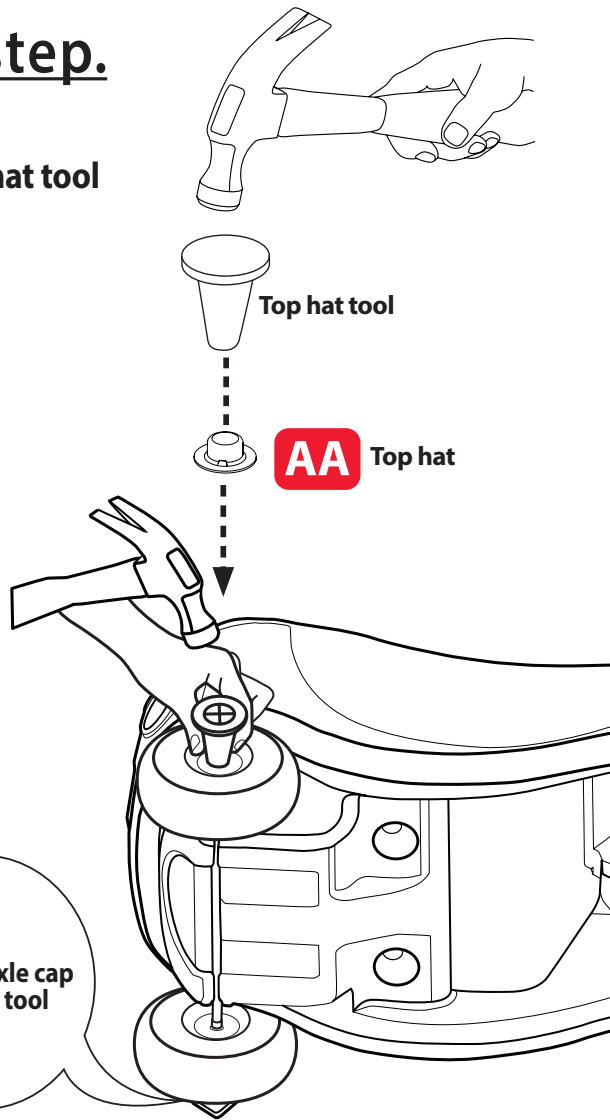


Slide (1) washer (BB)



8b REAR wheels...last step.

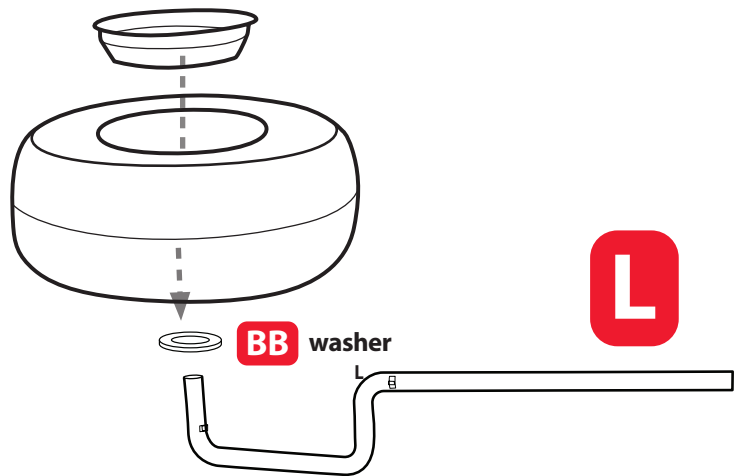
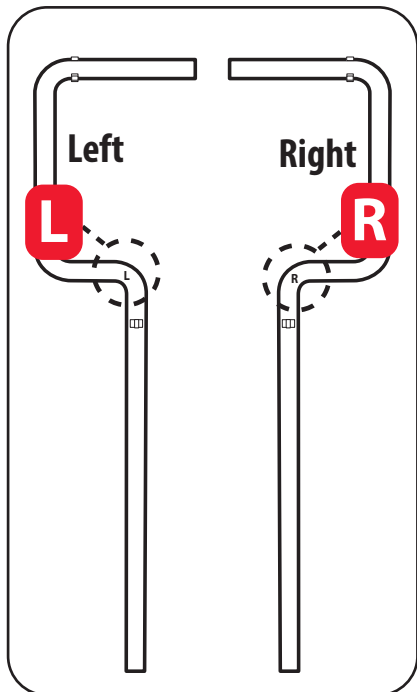
Flip the coupe on its side.
Place a (1) top hat (AA) and the top hat tool
over the OPEN end of the axle.
Hammer the top hat onto axle.



Do not hammer on surfaces or items you don't want to break, mark or dent.

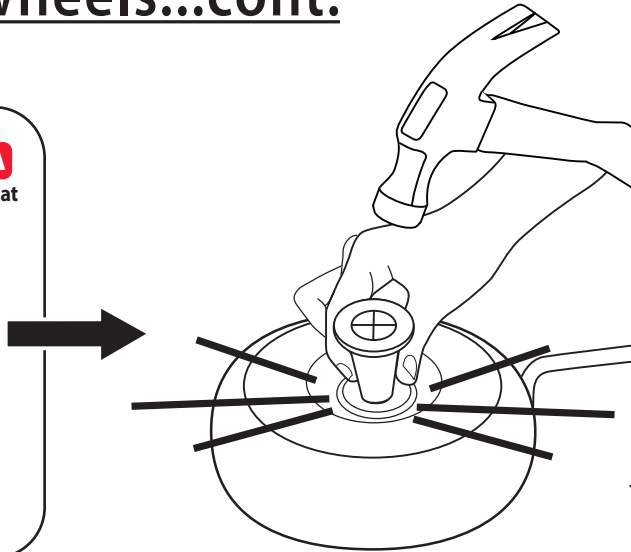
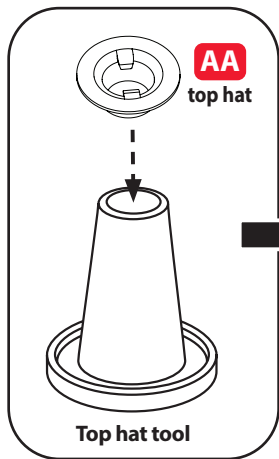
Use the tall axle cap tool to SUPPORT the bottom of axle.

9 FRONT wheels...check your axles



Slide onto LEFT front axle (L)
(1) washer (BB), (1) wheel (K) and (1) hubcap (M).

9 FRONT wheels...cont.



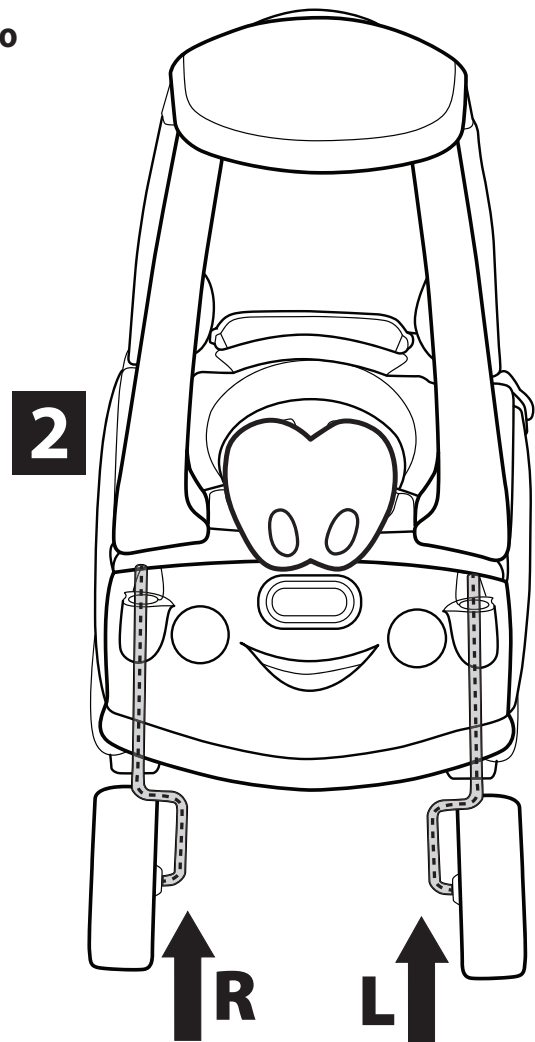
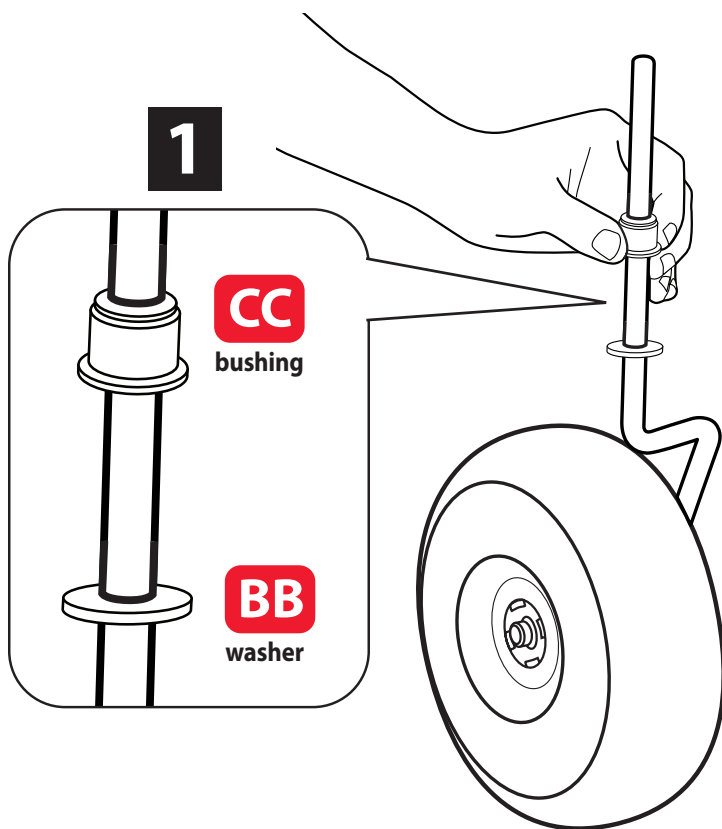
Place the top hat,
then the top hat tool
onto open end of axle.
Hammer top hat onto
the axle.

REPEAT these steps for
RIGHT front axle

9a FRONT wheels...rolling along!

First, slide washer (BB), then bushing (CC) onto
assembled right axle. REPEAT on left side.

Then, attach FRONT wheels and axles.

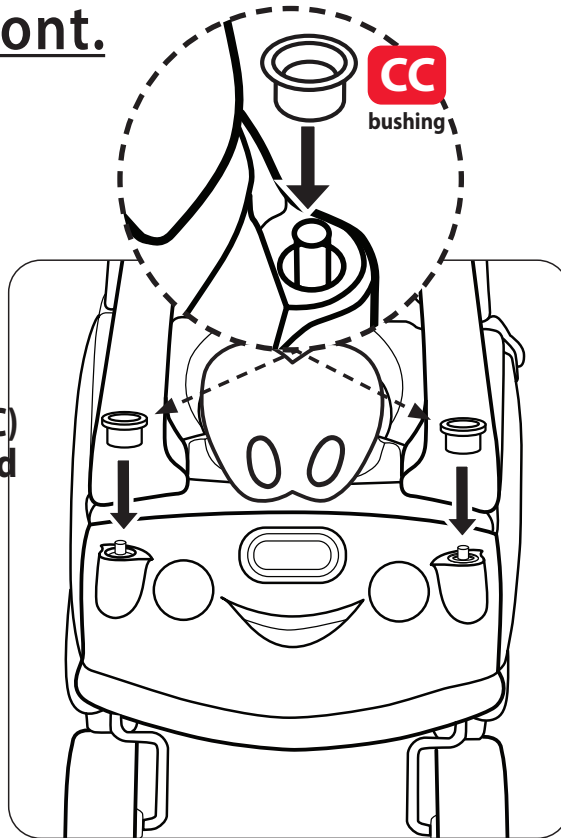


Insert axle "R"
(for right) into body.

Insert axle "L"
(for left) into body.

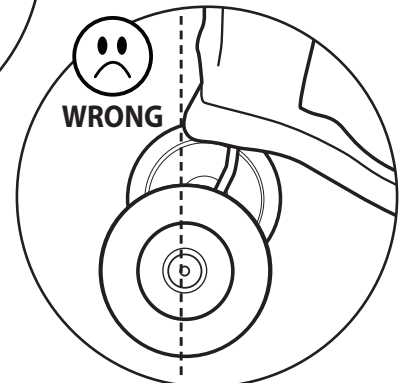
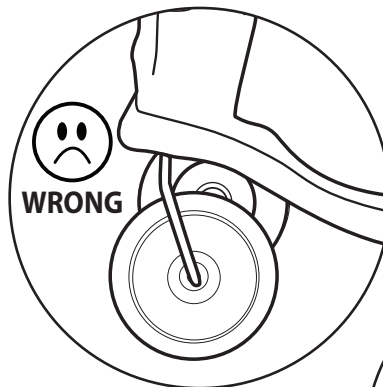
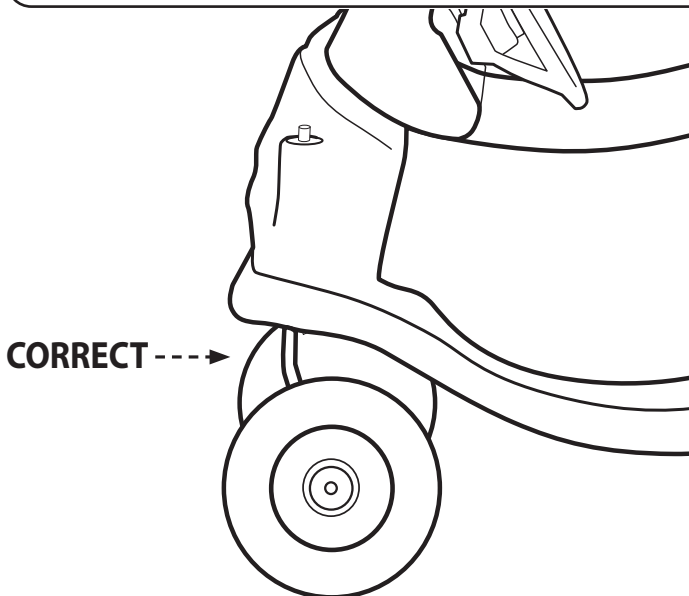
9a FRONT wheels...cont.

3
Insert bushing (CC)
onto each axle and
push in place

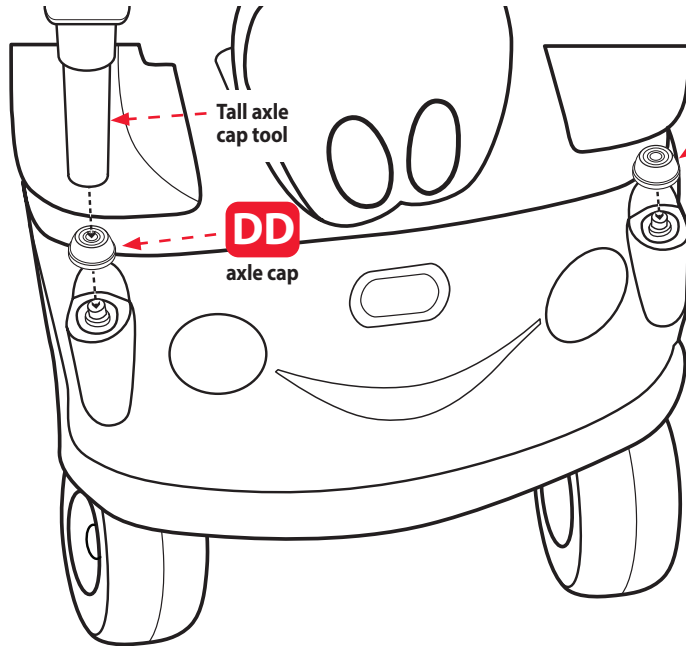
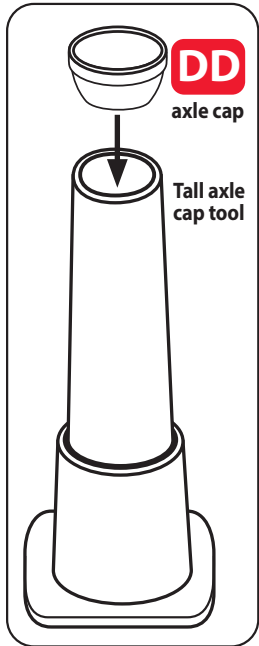



STOP

IMPORTANT! Check axle positions - roll the Cozy Coupe forward - HUBCAPS SHOULD FACING OUTWARD.



9b Axle caps and snaps!



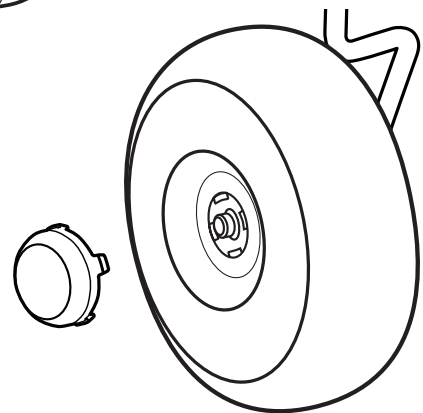
DD
axle cap

1

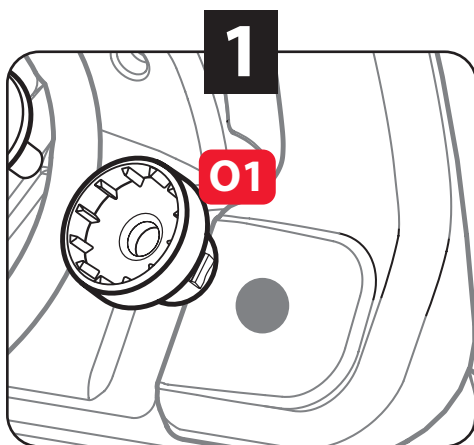
Insert axle cap (DD) onto the top of each axle and hammer into place.

2

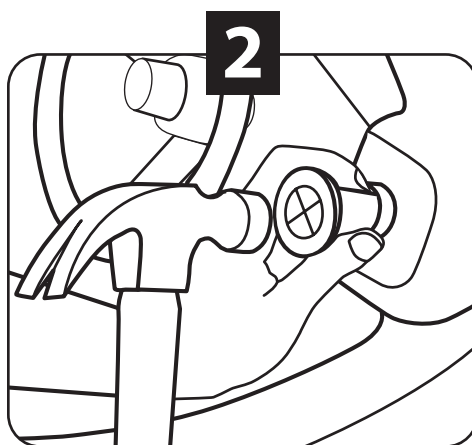
Align slots and snap on (4) center caps (part J).



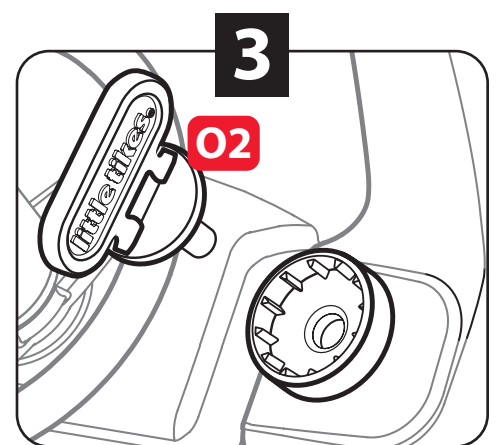
10 Key & Ignition



Insert Ignition Base (part O1) LEFT roof pillar (part E2).



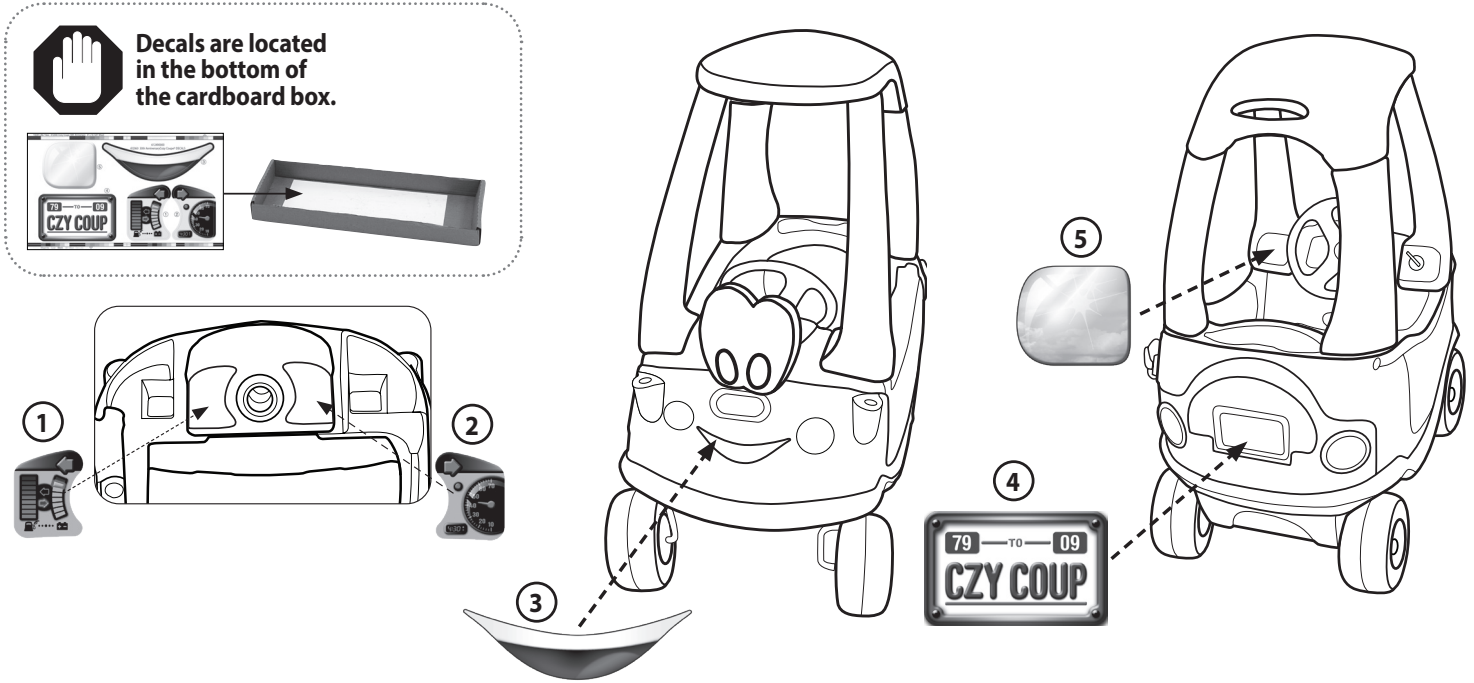
Hammer ignition base (part O1) into Coupe body.



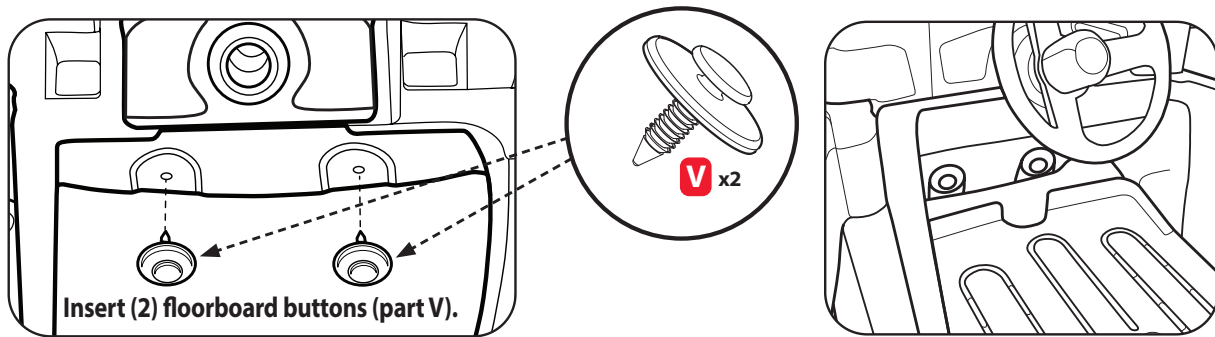
Insert Key (part O2) into Ignition base.

11 LAST STEP...let's finish with the decals!

Decals must be applied to a clean, dry surface. Wipe clean with a dry rag before application. Remove air from under decals by applying pressure to the decals starting from the center, and work towards edges. NOTE: If decals bubble, prick with a pin to remove the air.

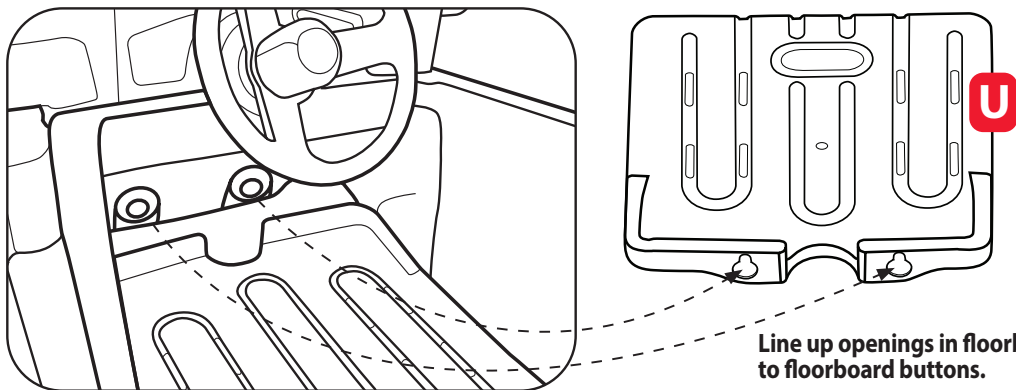


12 Floorboard needs buttons!




STOP

For parent controlled push rides, install the floorboard.



Line up openings in floorboard (part V) to floorboard buttons.
Once buttons are inserted into floorboard, push down to secure in place.